

FRIDAY 27 FS SPEED DUAL



FRAME

Friday, 6061 T4-T6 alloy, w/100mm travel, Bosch PowerTube battery integration (Horizontal), 12x148mm, Boost, motor cover w/cooling fins

SEATCLAMP

Moustache, alloy, 34.9mm

HEADSET

FSA, No 57B-1

SHOCK

Moustache, Magic Grip Control 100, specific Air Shock with 2-position platform and dynamic control of rebound, Trunion mount, build-in 165x40mm, 100mm travel

FORK

SR Suntour, Mobie 45 Air, LOR DS, preload adjustment & lockout function, 100mm travel

MOTOR

Bosch, Performance Line Speed 250W - 85 Nm, higher dynamics in response, agility and speed - Weight & form factor reduction

BATTERY

Bosch, PowerTube 625Wh, horizontal

ADDITIONNAL BATTERY

Bosch, PowerPack 500Wh

DISPLAY

Bosch, Nyon, touchscreen, smart connectivity, bluetooth-compatible, navigation, Lock function, custom settings - « Walk assist »

CHARGER

Bosch, 6Ah, Fast Charger

RIMS

Moustache, asymmetric, alloy 6061E, welded, double wall, 32 holes, 27.5", internal width 35mm

FRONT HUB

Moustache, 32H, 15x110mm, thru axle

TYRES

Schwalbe, Super Moto-X, 27.5x2.40

REAR HUB

Moustache, 32H, 12x148mm, thru axle

STEM

Moustache, alloy, 3D forged, 80mm

HANDLEBAR

Moustache, ergonomic, alloy, 660mm

GRIPS

Ergonomic, dual-density

SADDLE

Brooks, C19

SEATPOST

Moustache, alloy, 31.6mm, 350mm

MIRROR

Busch+Müller, Cycle Star-E, retractable

HORN

Supernova, M99 with remote control

CASSETTE

Sunrace, CSMS7, 11-speed, 11-40T

CHAIN

Sram, PC1110, 11-speed, 120 links

REAR DERAILLEUR

Shimano, XT, RD-M8000-GS, 11-speed

SHIFTER

Shimano, SLX, SL-M7000-R, 11-speed

CRANKS

Moustache, aluminium, 170mm

CHAINRING

FSA, Narrow-Wide, 48 teeth, chainguard

PEDALS

alloy platform with reflectors

FRONT BRAKE

Magura, MT4, hydraulic disc

FRONT ROTOR

Magura, Storm HC, 203mm

REAR BRAKE

Magura, MT4, hydraulic disc

REAR ROTOR

Magura, Storm HC, 180mm

FRONT LIGHT

Supernova, Mini PRO-45, High beam function (1400 lumen) and Low beam (700 lumen), remote switch, powered by main battery

REAR LIGHT

Supernova, M99, brake light, L1E universal legal kit holding all EU/CH registration plates & reflector, powered by main battery

MUDGUARD

Moustache, alloy, double wall design, w/alloy stays

CARRIER

Moustache, alloy, removable QL3 lateral fixation, MIK HD platform

KICKSTAND

Moustache, adjustable

AUTONOMY

154km

GVWR

135kg

WEIGHT

30kg

SIZES

S (1,54 - 1,69m) M (1,66 - 1,81m) L (1,78 - 1,93m) XL (1,90 - 2,05m)

COLORS

Black glossy

CONDITIONS

Maximum distance, calculated for a 70kg rider in ideal conditions. Estimate your battery range .

WARRANTY

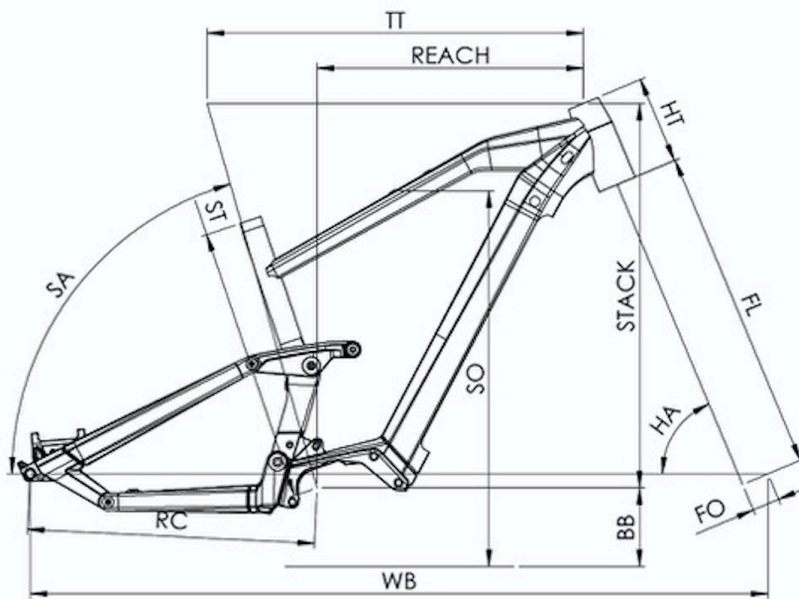
5 years frame and fork Moustache Bikes - 2 years motor, battery



Scan to find this bike online

MOUSTACHE

FRIDAY 27 FS SPEED DUAL



TAILLE - ST	mm	390 (S)	440 (M)	490 (L)	540 (XL)
Taille utilisateur (à titre indicatif)	m	1,54 - 1,69	1,66 - 1,81	1,78 - 1,93	1,90 - 2,05
Tube supérieur (mesure horizontale) - TT	mm	570	600	625	650
Bases - RC	mm	458	458	458	458
Douille de direction - HT	mm	140	140	150	160
Empattement - WB	mm	1145	1170	1200	1225
Longueur de fourche - FL	mm	501	501	501	501
Hauteur boîtier - BB	mm	328	328	328	328
Angle de selle - SA	°	74,5	74,5	74,5	74,5
Angle de direction - HA	°	68	68	68	68
Reach	mm	400	431	453	475
Stack	mm	607	610	616	626



Scan to find this bike online

TOUSTACHE