

# WEEKEND FS NYON EQ



## FRAME

Weekend, 6061 T4-T6 alloy, 120mm travel, exclusive integration of the Bosch PowerTube battery (horizontal) and external fixations for the PowerPack battery, 12x148mm, Boost, motor protection with air vents.

## SEATCLAMP

Moustache, alloy, 34.9mm

## HEADSET

FSA, No 57B

## SHOCK

Moustache, Magic Grip Control 120, specific Air Shock with 2-position platform and dynamic control of rebound, Trunion mount, build-in 165x45mm, 120mm travel

## FORK

RockShox, 35 Gold RL, DebonAir spring w/external rebound, Motion-Control damping featuring low speed compression adjustment to lockout 130mm travel, 15x110mm, Boost, 42mm Offset, mini-fender compatible

## MOTOR

Bosch, Performance Line CX, 250W, 85Nm

## BATTERY

Bosch, PowerTube 625Wh, horizontal

## DISPLAY

Bosch, Nyon, touchscreen, smart connectivity, bluetooth-compatible, navigation, Lock function, custom settings - « Walk assist »

## CHARGER

Bosch, 4Ah

## RIMS

Moustache, asymmetric, alloy 6061E, welded, double wall, 28 holes, 27.5", internal width 35mm, mounted with Tubeless valves & flap

## FRONT HUB

Shimano, 28H, 15x110mm, thru axle

## TYRES

Maxxis, Rekon, 27.5x2.60, foldable, EXO/TR (Tubeless Ready)

## REAR HUB

Shimano, 28H, 12x148mm, thru axle

## STEM

Moustache, 3D forged Aluminum, 60mm

## HANDLEBAR

Moustache, alloy, 740mm, 15mm rise, 9° backsweep, 5° upsweep

## GRIPS

SB3, Ergonomic

## SADDLE

Moustache, Sport, steel rails

## SEATPOST

EXA, 900i, dropper-post w/remote lever, 31.6mm, 100mm

## CASSETTE

Sunrace, CSMZ8, 12-speed, 11-51T

## CHAIN

Shimano, CN-M6100, 12-speed, 120 links

## REAR DERAILLEUR

Shimano, Deore, RD-M6100-SGS, 12-speed

## SHIFTER

Shimano, Deore, SL-M6100, 12-speed

## CRANKS

Moustache, forged aluminium, 165mm

## CHAINRING

FSA, Narrow Wide, 34 teeth

## PEDALS

alloy platform with reflectors

## FRONT BRAKE

Shimano, BR-M6120, hydraulic disc, 4 pistons

## FRONT ROTOR

Shimano, 203mm

## REAR BRAKE

Shimano, BR-M6120, hydraulic disc, 4 pistons

## REAR ROTOR

Shimano, 203mm

## FRONT LIGHT

Supernova, E3 V521, 235 lumen, powered by main battery

## REAR LIGHT

Spanninga, Presto2Guard, powered by main battery

## MUDGUARD

Moustache, alloy, double wall design, w/alloy stays

## CARRIER

Moustache, alloy, removable QL3 lateral fixation, MIK HD platform

## KICKSTAND

Moustache, adjustable

## AUTONOMY

121km

## GVWR

150kg

## WEIGHT

26kg

## SIZES

S (1,54 - 1,69m) M (1,66 - 1,81m) L (1,78 - 1,93m) XL (1,90 - 2,05m)

## COLORS

Pastel Green glossy

## CONDITIONS

Maximum distance, calculated for a 70kg rider in ideal conditions. Estimate your battery range .

## WARRANTY

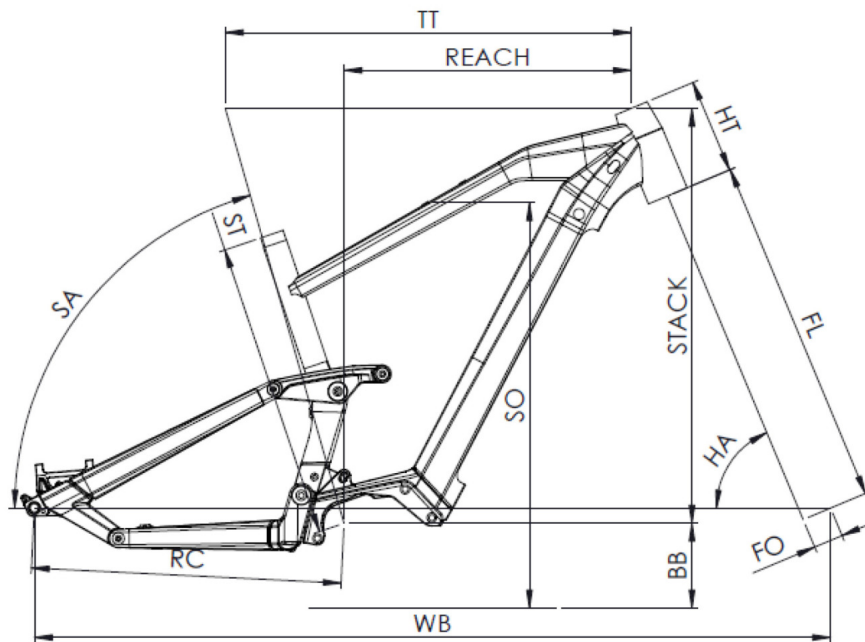
5 years frame and fork Moustache Bikes - 2 years motor, battery



Scan to find this bike online

**MOUSTACHE**

# WEEKEND FS NYON EQ



TAILLE - ST	mm	390 (S)	440 (M)	490 (L)	540 (XL)
Taille utilisateur (à titre indicatif)	m	1,54 - 1,69	1,66 - 1,81	1,78 - 1,93	1,90 - 2,05
Tube supérieur (mesure horizontale) - TT	mm	570	600	625	650
Bases - RC	mm	458	458	458	458
Douille de direction - HT	mm	140	140	150	160
Empattement - WB	mm	1163	1190	1215	1242
Longueur de fourche - FL	mm	549	549	549	549
Hauteur boîtier - BB	mm	347	347	347	346
Angle de selle - SA	°	72,5	72,5	72,5	72,5
Angle de direction - HA	°	66	66	66	66
Reach	mm	380	410	431	455
Stack	mm	610	612	622	630
Hauteur enjambement (mm) - SO	mm	810	820	820	837



Scan to find this bike online

**TOUSTACHE**