

SAMEDI 28.1



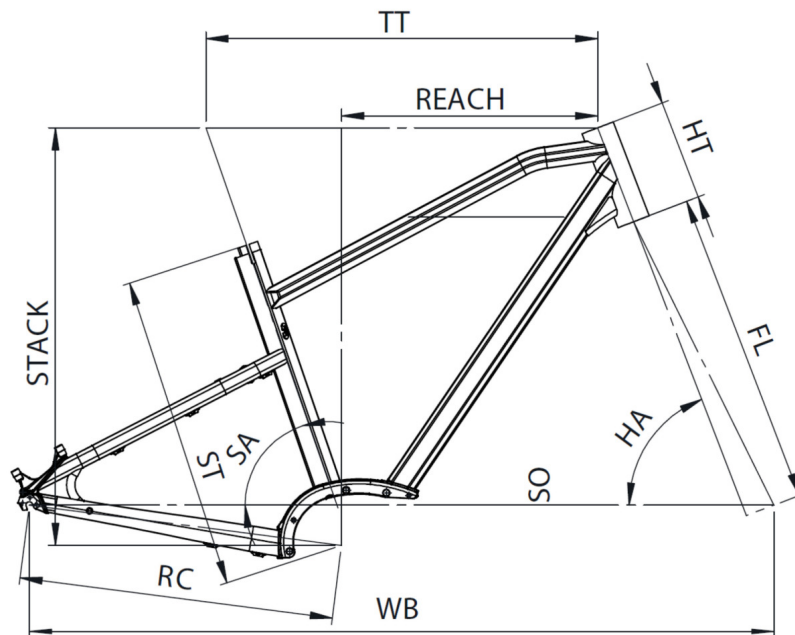
| | | |
|--|--|---|
| FRAME Samedi 28, 6061 T4-T6 alloy, variable thickness extruded tubes, headtube 1"1/8 | CASSETTE Shimano, CS-HG201, 9-speed, 11-36T | AUTONOMY 108km |
| SEATCLAMP Moustache, alloy, 31.8mm | CHAIN KMC, X9, 9-speed, 120 links | GVWR 135kg |
| HEADSET FSA, No 10P | REAR DERAILLEUR Shimano, Altus, RD-R2000-SGS, 9-speed | WEIGHT 22.8kg |
| FORK SR Suntour, NEX-E25, 63mm travel | SHIFTER Shimano, Altus, SL-M2010-R, 9-speed | SIZES S (1,55 - 1,70m) M (1,68 - 1,83m) L (1,80 - 1,95m) XL (1,90 - 2,05m) |
| MOTOR Bosch, Active Line, 250W, 40Nm | CRANKS Moustache, aluminium, 170mm | COLORS Black mat |
| BATTERY Bosch, PowerPack 400Wh | CHAINRING Narrow-Wide, 40 teeth | CONDITIONS Maximum distance, calculated for a 70kg rider in ideal conditions. Estimate your battery range . |
| DISPLAY Bosch, Purion - « Walk assist » | PEDALS Resin platform with reflectors | WARRANTY 5 years frame and fork Moustache Bikes - 2 years motor, battery |
| CHARGER Bosch, 2Ah | FRONT BRAKE Shimano, MT200 or Alhonga HJ-472, hydraulic disc brake | |
| RIMS Moustache, asymmetric, alloy 6061E, welded, 32 holes, 28", internal width 23mm | FRONT ROTOR Shimano, 180mm or Alhonga, 180mm | |
| FRONT HUB Shimano, 32H, 9x100mm, QR (Quick Release) | REAR BRAKE Shimano, MT200 or Alhonga HJ-472, hydraulic disc brake | |
| TYRES Schwalbe, Impac Streetpac, 700x47C or Schwalbe, Road cruiser K-Guard, 700x45C | REAR ROTOR Shimano, 160mm or Alhonga, 160mm | |
| REAR HUB Shimano, 32H, 9x135mm, QR (Quick Release) | FRONT LIGHT AXA, Blueline, 30 lux, powered by main battery | |
| HANDLEBAR Moustache, ergonomic, alloy, 80mm rise | REAR LIGHT Spanninga, Presto2Guard, powered by main battery | |
| GRIPS Ergonomic, dual-density | MUDGUARD Moustache, alloy, double wall design, w/alloy stays | |
| SADDLE Selle Royal, Wave | CARRIER Moustache, alloy, removable QL3 lateral fixation | |
| SEATPOST Moustache, alloy, 31.6mm, 350mm | KICKSTAND Moustache, adjustable | |



Scan to find this bike online

{MOUSTACHE

SAMEDI 28.1



| TAILLE - ST | mm | 410 (S) | 470 (M) | 530 (L) | 590 (XL) |
|--|----|-------------|-------------|-------------|-------------|
| Taille utilisateur (à titre indicatif) | m | 1,55 - 1,70 | 1,66 - 1,83 | 1,81 - 1,95 | 1,90 - 2,05 |
| Tube supérieur (mesure horizontale) - TT | mm | 560 | 585 | 610 | 635 |
| Bases - RC | mm | 470 | 470 | 470 | 470 |
| Douille de direction - HT | mm | 140 | 150 | 170 | 180 |
| Empattement - WB | mm | 1092 | 1112 | 1132 | 1158 |
| Longueur de fourche - FL | mm | 467 | 467 | 467 | 467 |
| Hauteur boîtier - BB | mm | 60 | 60 | 60 | 60 |
| Angle de selle - SA | ° | 72 | 72 | 72 | 72 |
| Angle de direction - HA | ° | 68,5 | 69 | 69,5 | 69,5 |
| Reach | mm | 361 | 383 | 400 | 423 |
| Stack | mm | 610 | 623 | 644 | 653 |



Scan to find this bike online

TOUSTACHE