

# SAMEDI 29 TRAIL 2



## FRAME

Trail, 6061 T4-T6 alloy, w/150mm travel, Bosch PowerTube battery custom integration (horizontal), 12x148mm, Boost, motor cover w/cooling fins & chainguide

## SEATCLAMP

Moustache, alloy, 38.6mm

## HEADSET

Acros, AZX-579, sealed bearings

## SHOCK

Moustache, Magic Grip Control 150, specific Air Shock w/ 2-position platform and dynamic control of rebound, Trunion mount, build-in 205x60mm, 150mm travel

## FORK

RockShox, 35 Silver TK, Solo Air spring w/external rebound, TurnKey damping featuring low speed compression adjustment to lockout 150mm travel, 15x110mm, Boost, 44mm Offset, mini-fender compatible

## MOTOR

Bosch, Performance Line CX, 250W, Smart System, 85Nm

## BATTERY

Bosch, PowerTube 625Wh, horizontal, Smart System

## REMOTE

Bosch, Purion 200, Smart System, compact, color screen, navigation, « Walk assist »

## CHARGER

Bosch, 2Ah

## RIMS

Moustache, asymmetric, alloy 6061E, welded, double wall, 28 holes, 29", internal width 30mm, mounted with Tubeless valves & flap, brass nuts with locking "Blue Nylon" insert

## FRONT HUB

Shimano, 28H, 15x110mm, thru axle

## TYRES

Maxxis, Assegai, 29x2.50, foldable, EXO/TR (Tubeless Ready)

## REAR HUB

Shimano, 28H, 12x148mm, thru axle

## STEM

Moustache, alloy 3D forged, 50mm

## HANDLEBAR

Moustache, alloy, 760mm, 12mm rise, 9° backsweep, 5° upsweep

## GRIPS

SB3, Race

## SADDLE

Moustache, Sport, steel rails

## SEATPOST

EXA, 900i, dropper-post w/remote lever, 31.6mm, 125mm

## CASSETTE

Shimano, CUES, CS-LG400 11-speed, 11-50T

## CHAIN

Shimano, LG500, 120 links

## REAR DERAILLEUR

Shimano, CUES, RD-U6000-GS, 10/11-speed

## SHIFTER

Shimano, CUES, SL-U6000-11R, 11-speed

## CRANKS

Moustache, forged aluminium, 165mm

## CHAINRING

FSA, Narrow Wide, 34 teeth

## PEDALS

alloy platform with reflectors

## FRONT BRAKE

Shimano, MT420, hydraulic disc, 4 pistons

## FRONT ROTOR

Shimano, 203mm

## REAR BRAKE

Shimano, MT410, hydraulic disc

## REAR ROTOR

Shimano, 203mm

## AUTONOMY

97km

## BOSCH CONNECT MODULE (BCM)

Bosch Connect Module (BCM) compatible, with eBike Alarm function

## GVWR

140kg

## WEIGHT

24.4kg

## SIZES

S (1,56 - 1,72m) M (1,69 - 1,85m) L (1,82 - 1,98m) XL (1,95 - 2,11m)

## COLORS

Black / Metallic Silver mat

## CONDITIONS

Maximum distance, calculated for a 70kg rider in ideal conditions. Estimate your battery range .

## WARRANTY

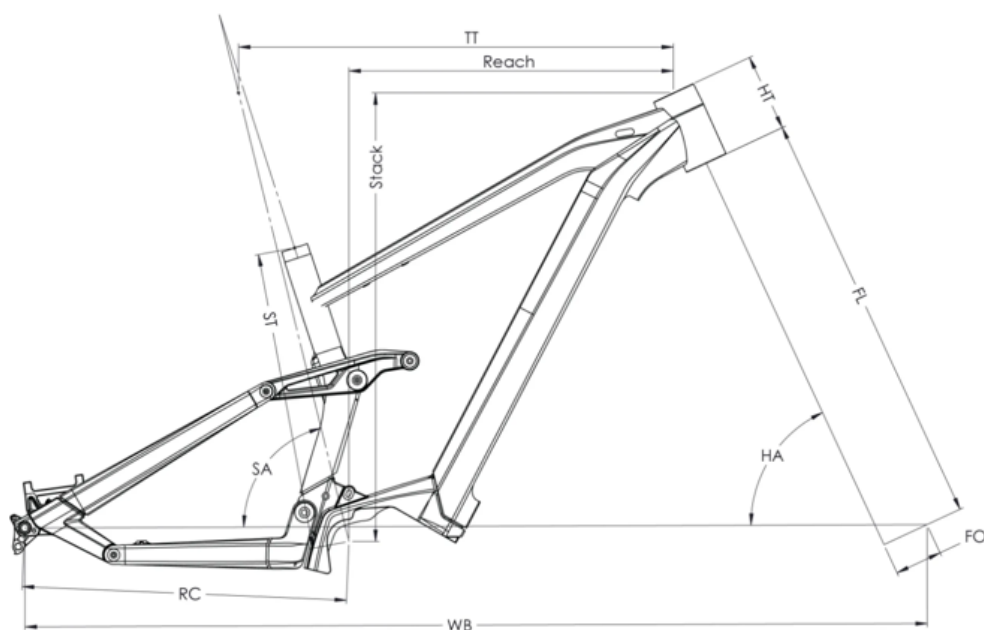
5 years frame and fork Moustache Bikes - 2 years motor, battery



Scan to find this bike online

**{MOUSTACHE**

# SAMEDI 29 TRAIL 2



ST - TAILLE / SIZE	mm	390 (S)	420 (M)	450 (L)	480 (XL)
Taille utilisateur / User size	m	1,56 - 1,72	1,69 - 1,85	1,82 - 1,98	1,95 - 2,11
TT - Tube supérieur / Top tube	mm	588	618	643	668
RC - Bases / Rear center	mm	462	462	462	462
HT - Douille de direction / Headtube	mm	100	110	130	140
WB - Empattement / Wheelbase	mm	1218	1250	1279	1306
FL - Longueur de fourche / Fork length	mm	560	560	560	560
BB - Hauteur de boîtier / BB height	mm	350	350	350	350
SA - Angle de selle / Seat angle	°	76,6	76,6	76,6	76,6
HA - Angle de direction / Head angle	°	65,6	65,6	65,6	65,6
Reach	mm	441	468	489	512
Stack	mm	623	632	650	659
SO - Enjambement / Standover	mm	836	845	863	873



Scan to find this bike online

**TOUSTACHE**