

# MARDI 27.6



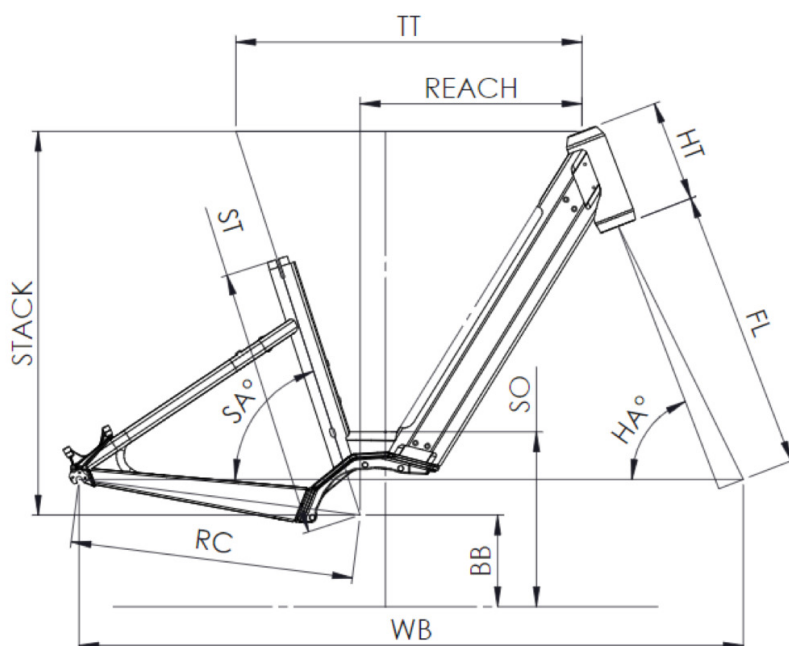
<b>FRAME</b> Mardi Open, 6061 T4-T6 alloy, hydroformed tubes and extruded triple cavity tubes for optimal stiffness, Bosch PowerTube battery integration (vertical), integrated cable routing	<b>GRIPS</b> SB3, Ergonomic	<b>CARRIER</b> Moustache, alloy, removable QL3 lateral fixation, MIK HD platform
<b>SEATCLAMP</b> Moustache, alloy, 34.9mm	<b>SADDLE</b> Selle Royal, Essenza Moderate Men	<b>KICKSTAND</b> Moustache, adjustable
<b>HEADSET</b> FSA, No 57B	<b>SEATPOST</b> Suspension, alloy, 31.6mm, 350mm, 40mm travel	<b>AUTONOMY</b> 146km
<b>FORK</b> SR Suntour, Mobie 25, preload adjustment & lockout function, 100mm travel	<b>CASSETTE</b> Gates, 26T	<b>GVWR</b> 135kg
<b>MOTOR</b> Bosch, Performance Line, 250W, Smart System, 75Nm	<b>CHAIN</b> Gates, CDX belt, clean, smooth and resistant	<b>SIZES</b> S (1,49 - 1,61m) M (1,59 - 1,76m) L (1,74 - 1,90m)
<b>BATTERY</b> Bosch, PowerTube 625Wh, vertical, Smart System	<b>REAR DERAILLEUR</b> Moustache, eccentric idler tensioner	<b>COLORS</b> Fir Green glossy
<b>LOCK</b> AXA, Block XXL, same key for framelock & battery lock	<b>SHIFTER</b> Enviolo, PURE, rotating handle with visual indicator	<b>CONDITIONS</b> Maximum distance, calculated for a 70kg rider in ideal conditions. Estimate your battery range .
<b>DISPLAY</b> Bosch, Smartphone Grip, induction or USB charging	<b>CRANKS</b> Moustache, aluminium, 170mm	<b>WARRANTY</b> 5 years frame and fork Moustache Bikes - 2 years motor, battery
<b>CHARGER</b> Bosch, 4Ah	<b>CHAINRING</b> Gates, 50T	<b>WEIGHT</b> 28.7kg
<b>RIMS</b> Moustache, asymmetric, alloy 6061E, welded, 32 holes, 27.5", internal width 23mm	<b>PEDALS</b> alloy platform with reflectors	<b>REMOTE</b> Bosch, Purion 200, Smart System, compact, color screen, navigation, « Walk assist »
<b>FRONT HUB</b> Shimano, 32H, 15x100mm, thru axle	<b>FRONT BRAKE</b> Shimano, MT200, hydraulic disc	<b>BOSCH CONNECT MODULE (BCM)</b> Bosch Connect Module (BCM) with eBike Alarm function, GPS tracking
<b>TYRES</b> Schwalbe, Super Moto-X, 27.5x2.40	<b>FRONT ROTOR</b> Shimano, 180mm	
<b>REAR HUB</b> Enviolo, TR 380%, 32H, 10x135mm, nut	<b>REAR BRAKE</b> Shimano, MT200, hydraulic disc	
<b>STEM</b> Moustache, alloy, adjustable, 90mm	<b>REAR ROTOR</b> Shimano, 160mm	
<b>HANDLEBAR</b> Moustache, ergonomic, alloy, 660mm, 30° backsweep	<b>FRONT LIGHT</b> AXA, NXT, 80 lux, powered by main battery	
	<b>REAR LIGHT</b> Spanninga, Presto2Guard, powered by main battery	
	<b>MUDGUARD</b> Moustache, alloy, double wall design, w/alloy stays	



Scan to find this bike online

**MOUSTACHE**

# MARDI 27.6



## Mardi 27.6

ST - TAILLE / SIZE	MM	390 (S)	450 (M)	510 (L)
TAILLE UTILISATEUR / USER SIZE	M	1,49 - 1,61	1,59 - 1,76	1,74 - 1,90
TT - TUBE SUPÉRIEUR / TOP TUBE	MM	555	580	605
RC - BASES / REAR CENTER	MM	475	475	475
HT - DOUILLE DE DIRECTION / HEADTUBE	MM	170	170	170
WB - EMPATTEMENT / WHEELBASE	MM	1097	1113	1138
FL - LONGUEUR DE FOURCHE / FORK LENGTH	MM	501	501	501
BB - HAUTEUR DE BOITIER / BB HEIGHT	MM	300	300	300
SA - ANGLE DE SELLE / SEAT ANGLE	°	70	70	70
HA - ANGLE DE DIRECTION / HEAD ANGLE	°	66,2	67	67
REACH	MM	318	341	366
STACK	MM	658	662	664
SO - ENJAMBEMENT / STANDOVER	MM	440	440	440



Scan to find this bike online

**TOUSTACHE**