

J. ALL

JAL113CL0050

5 299 €



FRAME

J, aluminium AlSi10Mg T6, one-piece gravity cast, low stepover, increase rigidity thanks to internal ribs, unified rear swingarm, discreet internal cable routing, integrated battery and drive unit

SEATCLAMP

Moustache, alloy, integrated, 34.9mm

HEADSET

Acros, AZF-699, sealed bearings, internal routing, blocklock

SHOCK

Moustache, Magic Grip Control 115, specific Air Shock with 2-position platform and dynamic control of rebound, build-in 165x38mm, 115mm travel

FORK

SR Suntour, XCR 34 Air Boost 2CR LOR, rebound adjustment & lockout function, 120mm travel

MOTOR

Bosch, Performance Line, 250W, Smart System, 75Nm

BATTERY

Bosch, PowerTube 500Wh, vertical, Smart System

DISPLAY

Bosch, Kiox 500, Smart System, color screen, customizable screens, sounds, Lock function (optional), « Walk assist »

CHARGER

Bosch, 2Ah

RIMS

Moustache, asymmetric, alloy 6061E, welded, 32 holes, 27.5", internal width 23mm

FRONT HUB

Shimano, 32H, 15x110mm, thru axle

TYRES

Schwalbe, Johnny Watts, 27.5x2.60

REAR HUB

Shimano, 32H, 9x135mm, QR (Quick Release)

STEM

Moustache, alloy, adjustable, 65mm

HANDLEBAR

Moustache, ergonomic, alloy, 680mm, 25° backsweep

GRIPS

SB3, Ergonomic

SADDLE

Selle Royal, Essenza Moderate Men

SEATPOST

EXA, 900i, dropper-post w/remote lever, 31.6mm, 75mm

CASSETTE

Shimano, CUES, CS-LG400 11-speed, 11-50T

CHAIN

Shimano, LG500, 130 links

REAR DERAILLEUR

Shimano, CUES, RD-U6000-GS, 10/11-speed

SHIFTER

Shimano, CUES, SL-U6000-11R, 11-speed

CRANKS

Moustache, aluminium, 170mm

CHAINRING

Narrow-Wide, 38 teeth, chainguard

PEDALS

alloy platform with reflectors

FRONT BRAKE

Alhonga, HJ-472, hydraulic disc

FRONT ROTOR

Alhonga, 180mm

REAR BRAKE

Alhonga, HJ-472, hydraulic disc

REAR ROTOR

Alhonga, 180mm

FRONT LIGHT

Trelock, Lighthammer, 100 lux, powered by main battery

REAR LIGHT

Spanninga, Presto2Guard, powered by main battery

MUDGUARD

Moustache, alloy, double wall design, w/alloy stays, stable and perfect protection thanks to the mudflap

CARRIER

Moustache, alloy, removable QL3 lateral fixation

KICKSTAND

Moustache, adjustable

AUTONOMY

116km

GVWR

135kg

WEIGHT

29kg

SIZES

S (1,55 - 1,70m) M (1,65 - 1,85m) L (1,80 - 1,95m)

COLORS

Olive mat

CONDITIONS

Maximum distance, calculated for a 70kg rider in ideal conditions. Estimate your battery range .

WARRANTY

5 years frame and fork Moustache Bikes - 2 years motor, battery

REMOTE

Bosch, LED remote Bluetooth

BOSCH CONNECT MODULE (BCM)

Bosch Connect Module (BCM) with eBike Alarm function, GPS tracking



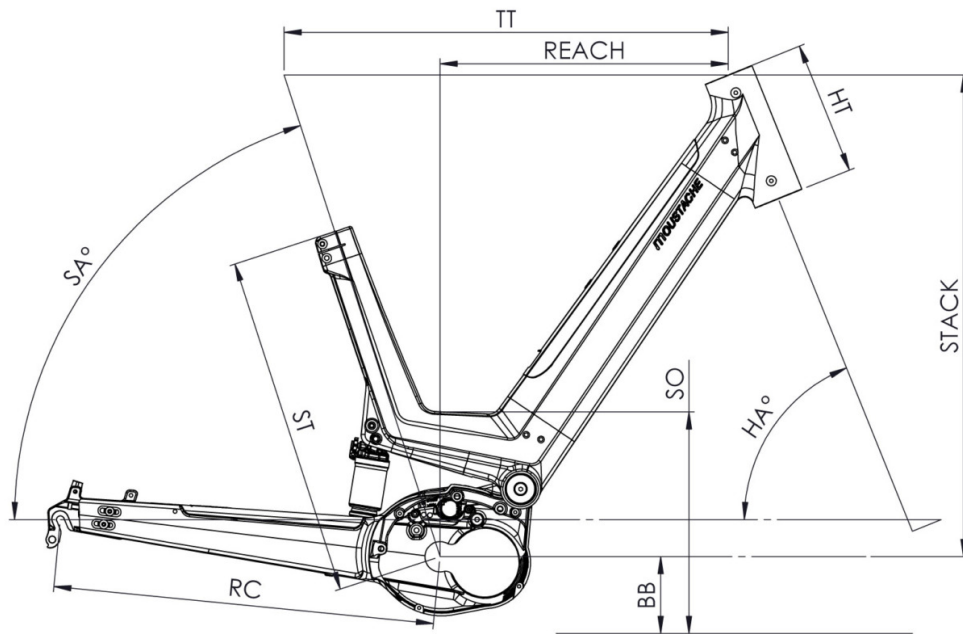
Scan to find this bike online

{MOUSTACHE

J. ALL

JAL113CL0050

5 299 €



J ALL		
Tailles : S (1,55 - 1,70 m) / M (1,65 - 1,85 m) / L (1,80 - 1,95 m)		
Seat tube	(mm)	ST 460
Top tube	(mm)	TT 600
Chainstay length	(mm)	RC 515
Head tube	(mm)	HT 180
Wheelbase	(mm)	WB 1210
Fork length	(mm)	FL 527.5
Bottom bracket height	(mm)	BB 327
Seat tube angle	(°)	SA 69.6
Head tube angle	(°)	HA 66
Reach	(mm)	361
Stack	(mm)	661
Stand over	(mm)	SO 522



Scan to find this bike online

TOUSTACHE