

# LUNDI 20 CARGO 3

LU20O03ES220

£ 4 999



## FRAME

Lundi 20 mid step-over, 6061 T4-T6 alloy, hydroformed and extruded triple cavity tubes for optimal stiffness. Integrated cable routing. Optimal geometry for stable handling and great manoeuvrability. Mounting points for optional front carrier

## SEATCLAMP

Moustache, alloy, 34.9mm

## HEADSET

FSA, No 28/41 integrated

## FORK

Lundi, alloy w/integrated cable routing

## MOTOR

Bosch, Cargo Line, 250W, 85Nm

## BATTERY

Bosch, PowerPack 500Wh

## DISPLAY

Bosch, Intuvia central mount with separate control unit - « Walk assist » - Information available offline - USB port to charge a phone, MP3 player, etc.

## CHARGER

Bosch, 4Ah

## RIMS

Moustache, asymmetric, alloy 6061E, welded, 32 holes, 20", internal width 23mm

## FRONT HUB

Moustache, 32H, 15x110mm, thru axle

## TYRES

Kenda, 20x2.30

## REAR HUB

Moustache, 32H, 12x148mm, thru axle

## HANDLEBAR

Moustache, Lundi custom ergonomic, alloy

## GRIPS

Ergonomic, dual-density

## SADDLE

Selle Royal, Essenza Moderate Lady

## SEATPOST

Moustache, suspension + dropper, alloy 34.9mm, 60mm drop, 40mm travel, comfort and security

## CASSETTE

Shimano, Deore, CS-M4100, 10-speed, 11-46T

## CHAIN

Shimano, HG54, 10-speed, 146 links

## REAR DERAILLEUR

Shimano, Deore, RD-M5120-SGS, 10-11-speed

## SHIFTER

Shimano, Deore, SL-M4100-R, 10-speed

## CRANKS

Moustache, aluminium, 170mm

## CHAINRING

FSA, Narrow-Wide, 48 teeth, chainguard

## PEDALS

alloy platform with reflectors

## FRONT BRAKE

Magura, MT4, hydraulic disc

## FRONT ROTOR

Magura, MDR-C, 203mm

## REAR BRAKE

Magura, MT4, hydraulic disc

## REAR ROTOR

Magura, MDR-C, 180mm

## FRONT LIGHT

AXA, Blueline, 30 lux, powered by main battery

## REAR LIGHT

AXA, Duo Flat, increased brightness under deceleration, powered by main battery

## MUDGUARD

Front: Moustache, alloy, double wall design, w/alloy stays and mudflap / Rear: PP, 180° lateral protection

## FRONT CARRIER

Optional extra: Moustache, alloy, compatible with MIK baskets and accessories, available in 2 sizes

## CARRIER

Moustache, alloy, exclusive longtail design. Removable side fastenings for QL3 luggage. Platform with multiple MIK HD system to rapidly attach all compatible accessories, bags and child seats. Up to 70kg load capacity.

## KICKSTAND

Moustache, central rear, wide stance for better stability

## AUTONOMY

106km

## GVWR

200kg

## WEIGHT

31kg

## SIZES

One size (1,57 - 1,90m)

## COLORS

Black glossy

## CONDITIONS

Maximum distance, calculated for a 70kg rider with 70kg payload in ideal conditions. Estimate your battery range .

## WARRANTY

5 years frame and fork Moustache Bikes - 2 years motor, battery

## ADDITIONAL BATTERY

Sans batterie



Scan to find this bike online

**MOUSTACHE**

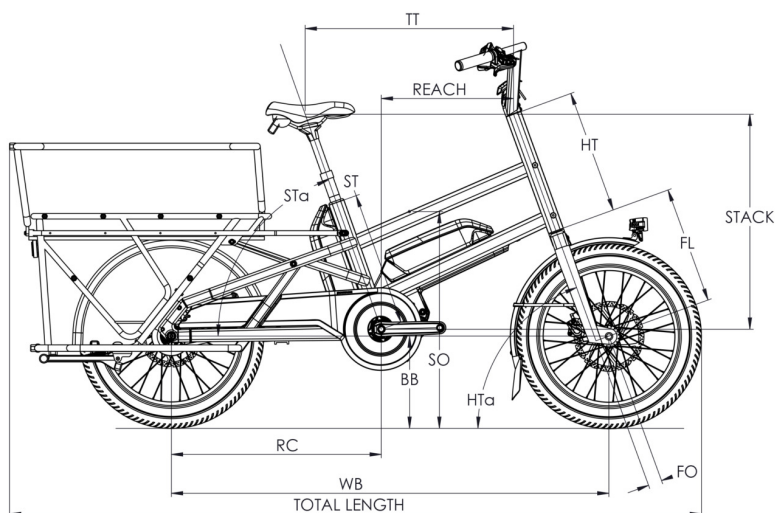
# LUNDI 20 CARGO 3

LU20003ES220

£ 4 999



BIKE SIZE		FITTING SIZE (1,57m - 1,90m)
Seat Tube - ST	mm	390
Top tube (horizontal measure) - TT	mm	605
Rear Center - RC	mm	610
Head Tube - HT	mm	360
Wheel base - WB	mm	1270
Fork Length - FL	mm	340
Fork Offset - FO	mm	40
Bottom Bracket - BB	mm	288
Seat tube angle - Sta	°	70,5
Head tube angle - Hta	°	70
REACH	mm	384
STACK	mm	624
TOTAL LENGTH	mm	2000
Stand Over - SO	mm	630



Scan to find this bike online

**TOUSTACHE**