

LUNDI 20 CARGO 5



FRAME

Lundi 20 mid step-over, 6061 T4-T6 alloy, hydroformed and extruded triple cavity tubes for optimal stiffness. Integrated cable routing. Optimal geometry for stable handling and great manoeuvrability. Mounting points for optional front carrier

SEATCLAMP

Moustache, alloy, 34.9mm

HEADSET

FSA, No 28/41 integrated

FORK

Lundi, alloy w/integrated cable routing

MOTOR

Bosch, Cargo Line, 250W, 85Nm

BATTERY

Bosch, PowerPack 500Wh

DISPLAY

Bosch, Intuvia central mount with separate control unit - « Walk assist » - Information available offline - USB port to charge a phone, MP3 player, etc.

CHARGER

Bosch, 4Ah

RIMS

Moustache, asymmetric, alloy 6061E, welded, 32 holes, 20", internal width 23mm

FRONT HUB

Moustache, 32H, 15x110mm, thru axle

TYRES

Schwalbe, Pick-Up, 20x2.35, Super Defense

REAR HUB

Enviolo, HD 380%, 32H, 12x148mm, nut

HANDLEBAR

Moustache, Lundi custom ergonomic, alloy

GRIPS

Ergonomic, dual-density

SADDLE

Selle Royal, Essenza Moderate Lady

SEATPOST

Moustache, suspension + dropper, alloy 34.9mm, 60mm drop, 40mm travel, comfort and security

CASSETTE

Gates, 22T

CHAIN

Gates, CDX belt, clean, smooth and resistant

SHIFTER

Enviolo, PRO, rotating handle with visual indicator

CRANKS

Moustache, aluminium, 170mm

CHAINRING

Gates, 55T

PEDALS

alloy platform with reflectors

FRONT BRAKE

Magura, MT4, hydraulic disc

FRONT ROTOR

Magura, MDR-C, 203mm

REAR BRAKE

Magura, MT4, hydraulic disc

REAR ROTOR

Magura, MDR-C, 180mm

FRONT LIGHT

AXA, Blueline, 30 lux, powered by main battery

REAR LIGHT

AXA, Duo Flat, increased brightness under deceleration, powered by main battery

MUDGUARD

Front: Moustache, alloy, double wall design, w/alloy stays and mudflap / Rear: PP, 180° lateral protection

FRONT CARRIER

Optional extra: Moustache, alloy, compatible with MIK baskets and accessories, available in 2 sizes

CARRIER

Moustache, alloy, exclusive longtail design. Removable side fastenings for QL3 luggage. Platform with multiple MIK HD system to rapidly attach all compatible accessories, bags and child seats. Up to 70kg load capacity.

KICKSTAND

Moustache, central rear, wide stance for better stability

AUTONOMY

102km

GVWR

200kg

WEIGHT

32kg

SIZES

One size (1,57 - 1,90m)

COLORS

Black glossy

CONDITIONS

Maximum distance, calculated for a 70kg rider with 70kg payload in ideal conditions. Estimate your battery range .

WARRANTY

5 years frame and fork Moustache Bikes - 2 years motor, battery

ADDITIONAL BATTERY

Sans batterie



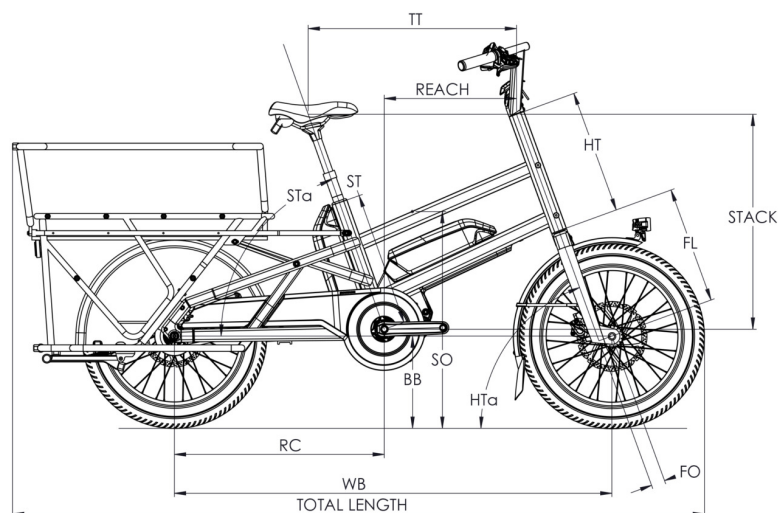
Scan to find this bike online

MOUSTACHE

LUNDI 20 CARGO 5



BIKE SIZE		FITTING SIZE (1,57m - 1,90m)
Seat Tube - ST	mm	390
Top tube (horizontal measure) - TT	mm	605
Rear Center - RC	mm	610
Head Tube - HT	mm	360
Wheel base - WB	mm	1270
Fork Length - FL	mm	340
Fork Offset - FO	mm	40
Bottom Bracket - BB	mm	288
Seat tube angle - Sta	°	70,5
Head tube angle - Hta	°	70
REACH	mm	384
STACK	mm	624
TOTAL LENGTH	mm	2000
Stand Over - SO	mm	630



Scan to find this bike online

{MOUSTACHE