

WEEKEND FS NYON EQ



FRAME

Weekend, 6061 T4-T6 alloy, 120mm travel, exclusive integration of the Bosch PowerTube battery (horizontal) and external fixations for the PowerPack battery, 12x148mm, Boost, motor protection with air vents.

SEATCLAMP

Moustache, alloy, 34.9mm

HEADSET

FSA, No 57B

SHOCK

Moustache, Magic Grip Control 120, specific Air Shock with 2-position platform and dynamic control of rebound, Trunion mount, build-in 165x45mm, 120mm travel

FORK

RockShox, 35 Gold RL, DebonAir spring w/external rebound, Motion-Control damping featuring low speed compression adjustment to lockout 130mm travel, 15x110mm, Boost, 42mm Offset, mini-fender compatible

MOTOR

Bosch, Performance Line CX, 250W, 85Nm

BATTERY

Bosch, PowerTube 625Wh, horizontal

DISPLAY

Bosch, Nyon, touchscreen, smart connectivity, bluetooth-compatible, navigation, Lock function, custom settings - « Walk assist »

CHARGER

Bosch, 4Ah

RIMS

Moustache, asymmetric, alloy 6061E, welded, double wall, 28 holes, 27.5", internal width 35mm, mounted with Tubeless valves & flap

FRONT HUB

Shimano, 28H, 15x110mm, thru axle

TYRES

Maxxis, Rekon, 27.5x2.60, foldable, EXO/TR (Tubeless Ready)

REAR HUB

Shimano, 28H, 12x148mm, thru axle

STEM

Moustache, 3D forged Aluminum, 60mm

HANDLEBAR

Moustache, alloy, 740mm, 15mm rise, 9° backsweep, 5° upsweep

GRIPS

SB3, Ergonomic

SADDLE

Moustache, Sport, steel rails

SEATPOST

EXA, 900i, dropper-post w/remote lever, 31.6mm, 100mm

CASSETTE

Sunrace, CSMZ8, 12-speed, 11-51T

CHAIN

Shimano, CN-M6100, 12-speed, 120 links

REAR DERAILLEUR

Shimano, Deore, RD-M6100-SGS, 12-speed

SHIFTER

Shimano, Deore, SL-M6100, 12-speed

CRANKS

Moustache, forged aluminium, 165mm

CHAINRING

FSA, Narrow Wide, 34 teeth

PEDALS

alloy platform with reflectors

FRONT BRAKE

Shimano, BR-M6120, hydraulic disc, 4 pistons

FRONT ROTOR

Shimano, 203mm

REAR BRAKE

Shimano, BR-M6120, hydraulic disc, 4 pistons

REAR ROTOR

Shimano, 203mm

FRONT LIGHT

Supernova, E3 V521, 235 lumen, powered by main battery

REAR LIGHT

Spanninga, Presto2Guard, powered by main battery

MUDGUARD

Moustache, alloy, double wall design, w/alloy stays

CARRIER

Moustache, alloy, removable QL3 lateral fixation, MIK HD platform

KICKSTAND

Moustache, adjustable

AUTONOMY

121km

GVWR

150kg

WEIGHT

26kg

SIZES

S (1,54 - 1,69m) M (1,66 - 1,81m) L (1,78 - 1,93m) XL (1,90 - 2,05m)

COLORS

Pastel Green glossy

CONDITIONS

Maximum distance, calculated for a 70kg rider in ideal conditions. Estimate your battery range .

WARRANTY

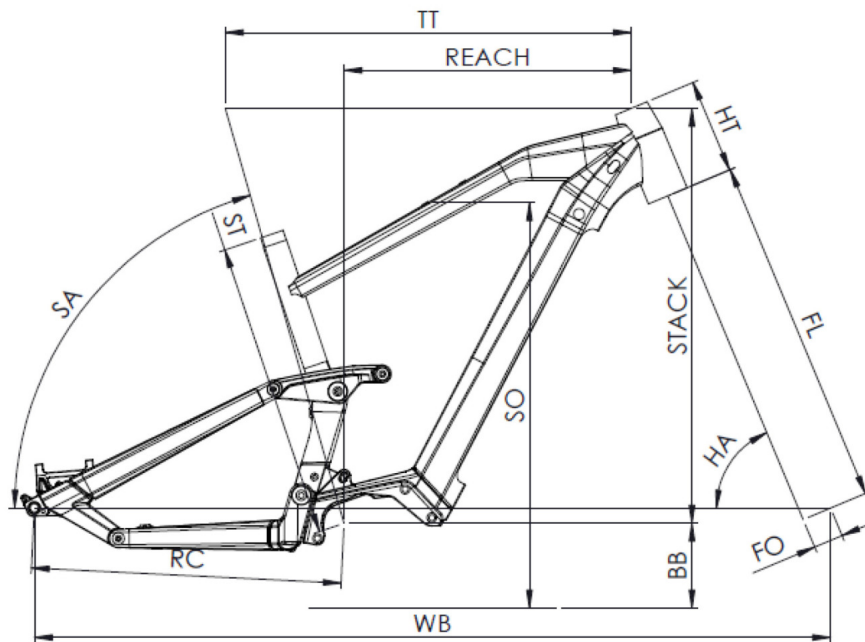
5 years frame and fork Moustache Bikes - 2 years motor, battery



Scan to find this bike online

MOUSTACHE

WEEKEND FS NYON EQ



TAILLE - ST	mm	390 (S)	440 (M)	490 (L)	540 (XL)
Taille utilisateur (à titre indicatif)	m	1,54 - 1,69	1,66 - 1,81	1,78 - 1,93	1,90 - 2,05
Tube supérieur (mesure horizontale) - TT	mm	570	600	625	650
Bases - RC	mm	458	458	458	458
Douille de direction - HT	mm	140	140	150	160
Empattement - WB	mm	1163	1190	1215	1242
Longueur de fourche - FL	mm	549	549	549	549
Hauteur boîtier - BB	mm	347	347	347	346
Angle de selle - SA	°	72,5	72,5	72,5	72,5
Angle de direction - HA	°	66	66	66	66
Reach	mm	380	410	431	455
Stack	mm	610	612	622	630
Hauteur enjambement (mm) - SO	mm	810	820	820	837



Scan to find this bike online

TRIOUSTACHE