

# MARDI 27.6



## FRAME

Mardi Open, 6061 T4-T6 alloy, hydroformed tubes and extruded triple cavity tubes for optimal stiffness, Bosch PowerTube battery integration (vertical), integrated cable routing

## SEATCLAMP

Moustache, alloy, 34.9mm

## HEADSET

FSA, No 57B

## FORK

SR Suntour, Mobie 25, preload adjustment & lockout function, 100mm travel

## MOTOR

Bosch, Performance Line, 250W, Smart System, 75Nm

## BATTERY

Bosch, PowerTube 625Wh, vertical, Smart System

## LOCK

AXA, Block XXL, same key for framelock & battery lock

## DISPLAY

Bosch, Smartphone Grip, induction or USB charging

## CHARGER

Bosch, 4Ah

## RIMS

Moustache, asymmetric, alloy 6061E, welded, 32 holes, 27.5", internal width 23mm

## FRONT HUB

Shimano, 32H, 15x100mm, thru axle

## TYRES

Schwalbe, Super Moto-X, 27.5x2.40

## REAR HUB

Enviolo, TR 380%, 32H, 10x135mm, nut

## STEM

Moustache, alloy, adjustable, 90mm

## HANDLEBAR

Moustache, ergonomic, alloy, 660mm, 30° backsweep

## GRIPS

SB3, Ergonomic

## SADDLE

Selle Royal, Essenza Moderate Men

## SEATPOST

Suspension, alloy, 31.6mm, 350mm, 40mm travel

## CASSETTE

Gates, 26T

## CHAIN

Gates, CDX belt, clean, smooth and resistant

## REAR DERAILLEUR

Moustache, eccentric idler tensioner

## SHIFTER

Enviolo, PURE, rotating handle with visual indicator

## CRANKS

Moustache, aluminium, 170mm

## CHAINRING

Gates, 50T

## PEDALS

alloy platform with reflectors

## FRONT BRAKE

Shimano, MT200, hydraulic disc

## FRONT ROTOR

Shimano, 180mm

## REAR BRAKE

Shimano, MT200, hydraulic disc

## REAR ROTOR

Shimano, 160mm

## FRONT LIGHT

AXA, NXT, 80 lux, powered by main battery

## REAR LIGHT

Spanninga, Presto2Guard, powered by main battery

## MUDGUARD

Moustache, alloy, double wall design, w/alloy stays

## CARRIER

Moustache, alloy, removable QL3 lateral fixation, MIK HD platform

## KICKSTAND

Moustache, adjustable

## AUTONOMY

146km

## GVWR

135kg

## SIZES

S (1,49 - 1,61m) M (1,59 - 1,76m) L (1,74 - 1,90m)

## COLORS

Fir Green glossy

## CONDITIONS

Maximum distance, calculated for a 70kg rider in ideal conditions. Estimate your battery range .

## WARRANTY

5 years frame and fork Moustache Bikes - 2 years motor, battery

## WEIGHT

28.7kg

## REMOTE

Bosch, Purion 200, Smart System, compact, color screen, navigation, « Walk assist »

## BOSCH CONNECT MODULE (BCM)

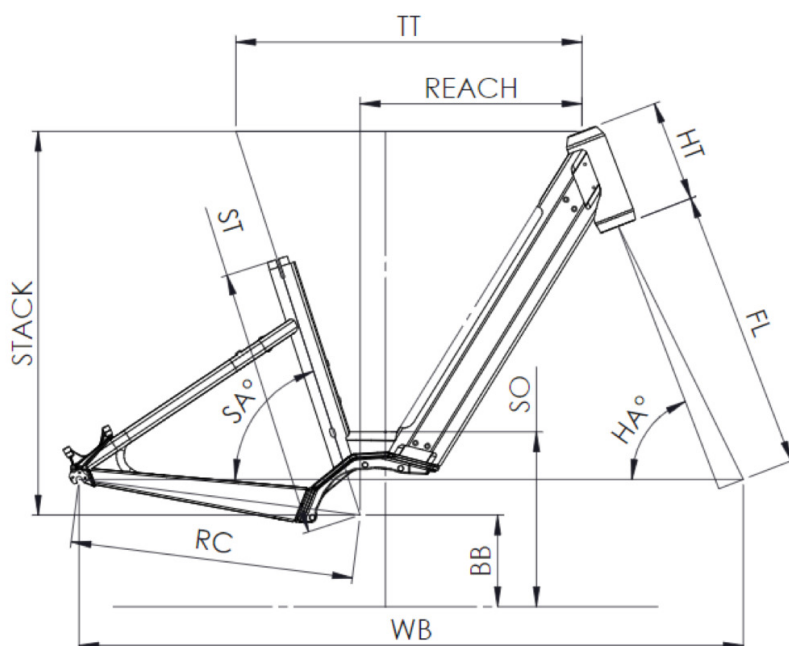
Bosch Connect Module (BCM) with eBike Alarm function, GPS tracking



Scan to find this bike online

**MOUSTACHE**

# MARDI 27.6



## Mardi 27.6

| ST - TAILLE / SIZE                     | MM | 390 (S)     | 450 (M)     | 510 (L)     |
|--|----|-------------|-------------|-------------|
| TAILLE UTILISATEUR / USER SIZE         | M  | 1,49 - 1,61 | 1,59 - 1,76 | 1,74 - 1,90 |
| TT - TUBE SUPÉRIEUR / TOP TUBE         | MM | 555         | 580         | 605         |
| RC - BASES / REAR CENTER               | MM | 475         | 475         | 475         |
| HT - DOUILLE DE DIRECTION / HEADTUBE   | MM | 170         | 170         | 170         |
| WB - EMPATTEMENT / WHEELBASE           | MM | 1097        | 1113        | 1138        |
| FL - LONGUEUR DE FOURCHE / FORK LENGTH | MM | 501         | 501         | 501         |
| BB - HAUTEUR DE BOITIER / BB HEIGHT    | MM | 300         | 300         | 300         |
| SA - ANGLE DE SELLE / SEAT ANGLE       | °  | 70          | 70          | 70          |
| HA - ANGLE DE DIRECTION / HEAD ANGLE   | °  | 66,2        | 67          | 67          |
| REACH                                  | MM | 318         | 341         | 366         |
| STACK                                  | MM | 658         | 662         | 664         |
| SO - ENJAMBEMENT / STANDOVER           | MM | 440         | 440         | 440         |



Scan to find this bike online

**TOUSTACHE**