

# J. ON



## FRAME

J, aluminium AlSi10Mg T6, one-piece gravity cast, low stepover, increase rigidity thanks to internal ribs, unified rear swingarm, discreet internal cable routing, integrated battery and drive unit

## SEATCLAMP

Moustache, alloy, integrated, 34.9mm

## HEADSET

Acros, AZF-699, sealed bearings, internal routing, blocklock

## SHOCK

Moustache, Magic Grip Control 115, specific Air Shock with 2-position platform and dynamic control of rebound, build-in 165x38mm, 115mm travel

## FORK

SR Suntour, Mobie 25, preload adjustment & lockout function, 100mm travel

## MOTOR

Bosch, Performance Line, 250W, Smart System, 75Nm

## BATTERY

Bosch, PowerTube 625Wh, vertical, Smart System

## DISPLAY

Bosch, Kiox 500, Smart System, color screen, customizable screens, sounds, Lock function (optional), « Walk assist »

## CHARGER

Bosch, 4Ah

## RIMS

Moustache, asymmetric, alloy 6061E, welded, 32 holes, 27.5", internal width 23mm

## FRONT HUB

Moustache, 32H, 15x100mm, thru axle

## TYRES

Schwalbe, Super Moto-X, 27.5x2.40

## REAR HUB

Enviolo, TR 380%, 32H, 10x135mm, nut

## STEM

Moustache, alloy, adjustable, 65mm

## HANDLEBAR

Moustache, ergonomic, alloy, 680mm, 25° backsweep

## GRIPS

SB3, Ergonomic

## SADDLE

Selle Royal, Essenza Moderate Men

## SEATPOST

EXA, 900i, dropper-post w/remote lever, 31.6mm, 75mm

## CASSETTE

Gates, 22T

## CHAIN

Gates, CDX belt, clean, smooth and resistant

## SHIFTER

Enviolo, PURE, rotating handle with visual indicator

## CRANKS

Moustache, aluminium, 170mm

## CHAINRING

Gates, 50T

## PEDALS

alloy platform with reflectors

## FRONT BRAKE

Alhonga, HJ-472, hydraulic disc

## FRONT ROTOR

Alhonga, 180mm

## REAR BRAKE

Alhonga, HJ-472, hydraulic disc

## REAR ROTOR

Alhonga, 160mm

## FRONT LIGHT

Trelock, Lighthammer, 100 lux, powered by main battery

## REAR LIGHT

Spanninga, Presto2Guard, powered by main battery

## MUDGUARD

Moustache, alloy, double wall design, w/alloy stays, stable and perfect protection thanks to the mudflap

## CARRIER

Moustache, alloy, removable QL3 lateral fixation

## KICKSTAND

Moustache, adjustable

## AUTONOMY

146km

## GVWR

135kg

## WEIGHT

30.3kg

## SIZES

S (1,55 - 1,70m) M (1,65 - 1,85m) L (1,80 - 1,95m)

## COLORS

Grey mat

## CONDITIONS

Maximum distance, calculated for a 70kg rider in ideal conditions. Estimate your battery range .

## WARRANTY

5 years frame and fork Moustache Bikes - 2 years motor, battery

## REMOTE

Bosch, LED remote Bluetooth

## BOSCH CONNECT MODULE (BCM)

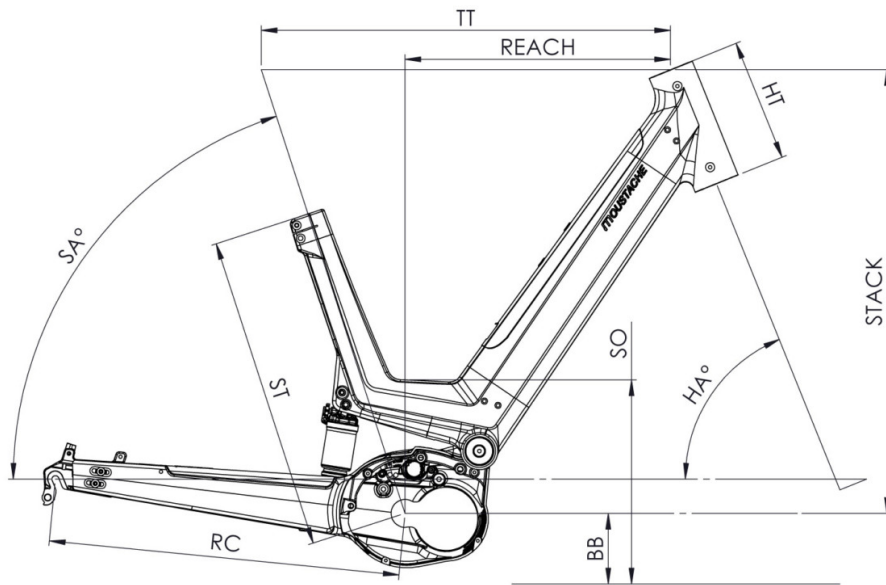
Bosch Connect Module (BCM) with eBike Alarm function, GPS tracking



Scan to find this bike online

**{MOUSTACHE**

# J. ON



J ON		
Tailles : S (1,55 - 1,70 m) / M (1,65 - 1,85 m) / L (1,80 - 1,95 m)		
Seat tube	(mm)	ST 460
Top tube	(mm)	TT 600
Chainstay length	(mm)	RC 515
Head tube	(mm)	HT 180
Wheelbase	(mm)	WB 1198
Fork length	(mm)	FL 501
Bottom bracket height	(mm)	BB 312
Seat tube angle	(°)	SA 70.7
Head tube angle	(°)	HA 67.2
Reach	(mm)	374
Stack	(mm)	654
Stand over	(mm)	SO 507



Scan to find this bike online

**TOUSTACHE**