

# MARDI 27.4



## FRAME

Mardi Open, 6061 T4-T6 alloy, hydroformed tubes and extruded triple cavity tubes for optimal stiffness, Bosch PowerTube battery integration (vertical), integrated cable routing

## SEATCLAMP

Moustache, alloy, 34.9mm

## HEADSET

FSA, No 57B

## FORK

SR Suntour, XCM32-ATB, NLO, preload adjustment & lockout function, 80mm travel

## MOTOR

Bosch, Performance Line, 250W, Smart System, 75Nm

## BATTERY

Bosch, PowerTube 500Wh, vertical, Smart System

## LOCK

AXA, Block XXL, same key for framelock & battery lock

## CHARGER

Bosch, 2Ah

## RIMS

Moustache, asymmetric, alloy 6061E, welded, 32 holes, 27.5", internal width 23mm

## FRONT HUB

Shimano, 32H, 9x100mm, QR (Quick Release)

## TYRES

Schwalbe, Super Moto-X, 27.5x2.40

## REAR HUB

Shimano, Nexus, 32H, 10x135mm, nut

## STEM

Moustache, alloy, adjustable, 90mm

## HANDLEBAR

Moustache, ergonomic, alloy, 660mm, 30° backsweep

## GRIPS

SB3, Ergonomic

## SADDLE

Selle Royal, Essenza Moderate Men

## SEATPOST

Suspension, alloy, 31.6mm, 350mm, 40mm travel

## CASSETTE

Shimano, Nexus, 30T

## CHAIN

Shimano, HG40, 118 links

## REAR DERAILLEUR

Shimano, Alfine, chain tensioner

## SHIFTER

Shimano, Nexus SL-C7000-5, 5-speed

## CRANKS

Moustache, aluminium, 170mm

## CHAINRING

Narrow-Wide, 40 teeth

## PEDALS

alloy platform with reflectors

## FRONT BRAKE

Shimano, MT200, hydraulic disc

## FRONT ROTOR

Shimano, 180mm

## REAR BRAKE

Shimano, MT200, hydraulic disc

## REAR ROTOR

Shimano, 160mm

## FRONT LIGHT

AXA, NXT, 30 lux, powered by main battery

## REAR LIGHT

Spanninga, Presto2Guard, powered by main battery

## MUDGUARD

Moustache, alloy, double wall design, w/alloy stays

## CARRIER

Moustache, alloy, removable QL3 lateral fixation, MIK HD platform

## KICKSTAND

Moustache, adjustable

## AUTONOMY

115km

## GVWR

135kg

## SIZES

S (1,49 - 1,61m) M (1,59 - 1,76m) L (1,74 - 1,90m)

## COLORS

Stone Grey glossy

## CONDITIONS

Maximum distance, calculated for a 70kg rider in ideal conditions. Estimate your battery range .

## WARRANTY

5 years frame and fork Moustache Bikes - 2 years motor, battery

## WEIGHT

28.6kg

## REMOTE

Bosch, Purion 200, Smart System, compact, color screen, navigation, « Walk assist »

## BOSCH CONNECT MODULE (BCM)

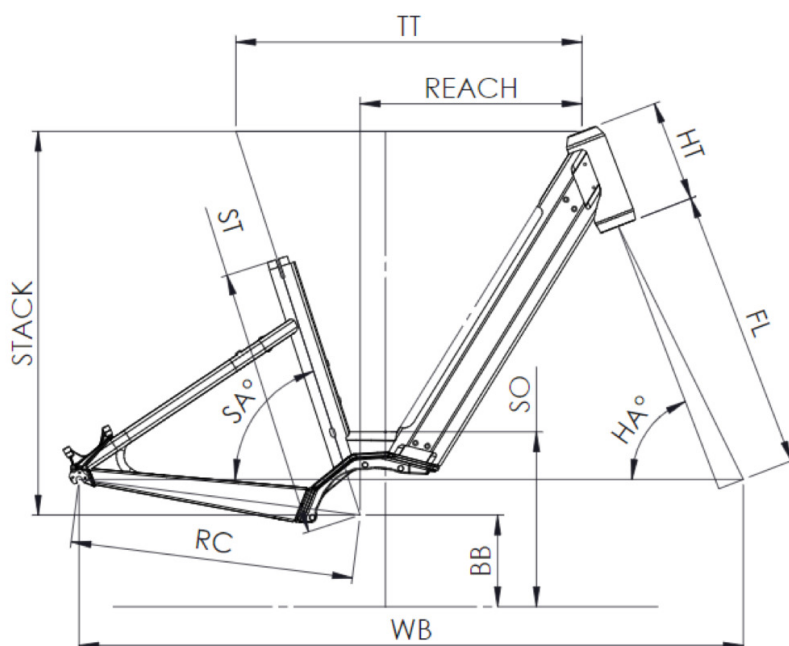
Bosch Connect Module (BCM) compatible, with eBike Alarm function



Scan to find this bike online

**MOUSTACHE**

# MARDI 27.4



## Mardi 27.4

ST - TAILLE / SIZE	MM	390 (S)	450 (M)	510 (L)
TAILLE UTILISATEUR / USER SIZE	M	1,49 - 1,61	1,59 - 1,76	1,74 - 1,90
TT - TUBE SUPÉRIEUR / TOP TUBE	MM	555	580	605
RC - BASES / REAR CENTER	MM	475	475	475
HT - DOUILLE DE DIRECTION / HEADTUBE	MM	170	170	170
WB - EMPATTEMENT / WHEELBASE	MM	1097	1113	1138
FL - LONGUEUR DE FOURCHE / FORK LENGTH	MM	481	481	481
BB - HAUTEUR DE BOITIER / BB HEIGHT	MM	300	300	300
SA - ANGLE DE SELLE / SEAT ANGLE	°	72	72	72
HA - ANGLE DE DIRECTION / HEAD ANGLE	°	67,4	68,2	68,2
REACH	MM	335	358	383
STACK	MM	647	651	651
SO - ENJAMBEMENT / STANDOVER	MM	440	440	440



Scan to find this bike online

**TOUSTACHE**