

SAMEDI 27 XROAD 2 NEXUS



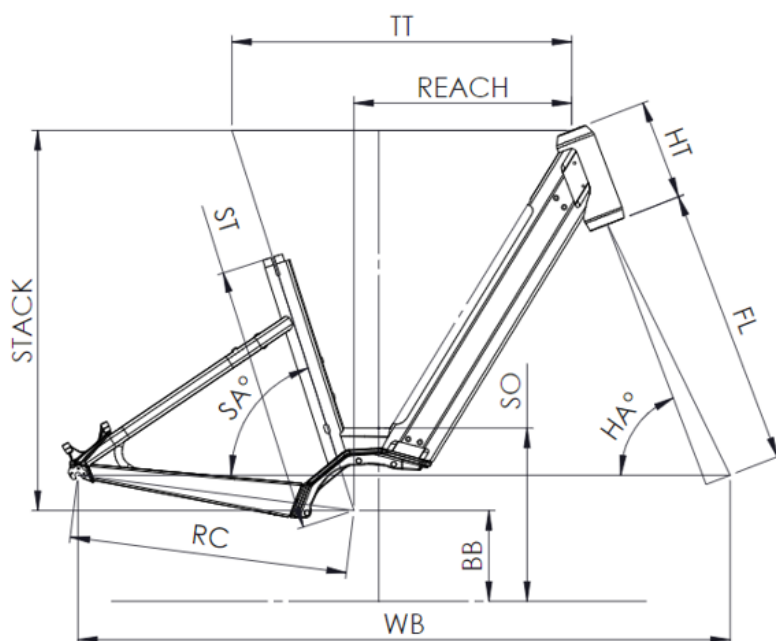
| | | |
|---|--|---|
| FRAME Xroad, 6061 T4-T6 alloy, variable thickness hydroformed tubes, Bosch PowerTube battery integration (vertical), integrated cable routing | SADDLE Selle Royal, Wave | CARRIER Moustache, alloy, removable QL3 lateral fixation, MIK HD platform |
| SEATCLAMP Moustache, alloy, 34.9mm | SEATPOST Moustache, alloy, 31.6mm, 350mm | KICKSTAND Moustache, adjustable |
| HEADSET FSA, No 57B-1 | CASSETTE Shimano, Nexus, 30T | AUTONOMY 111km |
| FORK SR Suntour, XCM ATB, preload adjustment, 80mm travel | CHAIN Shimano, HG40, 118 links | GVWR 135kg |
| MOTOR Bosch, Performance Line, 250W, Smart System, 75Nm | REAR DERAILLEUR Shimano, Alfine, chain tensioner | WEIGHT 26.7kg |
| BATTERY Bosch, PowerTube 500Wh, vertical, Smart System | SHIFTER Shimano, Nexus SL-C7000-5, 5-speed | SIZES S (1,55 - 1,70m) M (1,68 - 1,83m) L (1,80 - 1,95m) XL (1,90 - 2,05m) |
| DISPLAY Bosch, Intuvia 100, Smart System, compact, "Walk Assist" | CRANKS Moustache, aluminium, 170mm | COLORS Petrol Blue glossy |
| CHARGER Bosch, 4Ah | CHAINRING Narrow-Wide, 40 teeth | CONDITIONS Maximum distance, calculated for a 70kg rider in ideal conditions. Estimate your battery range . |
| RIMS Moustache, asymmetric, alloy 6061E, welded, 32 holes, 27.5", internal width 23mm | PEDALS Resin platform with reflectors | WARRANTY 5 years frame and fork Moustache Bikes - 2 years motor, battery |
| FRONT HUB Shimano, 32H, 9x100mm, QR (Quick Release) | FRONT BRAKE Shimano, MT200 or Alhonga HJ-472, hydraulic disc brake | REMOTE Bosch, LED remote Bluetooth |
| TYRES Hutchinson, Python 2, 27.5x2.10 | FRONT ROTOR Shimano, 180mm or Alhonga, 180mm | BOSCH CONNECT MODULE (BCM) Bosch Connect Module (BCM) compatible, with eBike Alarm function |
| REAR HUB Shimano, Nexus, 32H, 10x135mm, nut | REAR BRAKE Shimano, MT200 or Alhonga HJ-472, hydraulic disc brake | |
| STEM Moustache, alloy, adjustable, 90mm | REAR ROTOR Shimano, 160mm or Alhonga, 160mm | |
| HANDLEBAR Moustache, ergonomic, alloy, 680mm, 25° backsweep | FRONT LIGHT AXA, Blueline, 30 lux, powered by main battery | |
| GRIPS Ergonomic, dual-density | REAR LIGHT Spanninga, Presto2Guard, powered by main battery | |
| | MUDGUARD Moustache, alloy, double wall design, w/alloy stays | |



Scan to find this bike online

MOUSTACHE

SAMEDI 27 XROAD 2 NEXUS



| ST - TAILLE / SIZE | mm | 390 (S) | 450 (M) | 510 (L) |
|--|----|-------------|-------------|-------------|
| Taille utilisateur / User size | m | 1,49 - 1,61 | 1,59 - 1,76 | 1,74 - 1,90 |
| TT - Tube supérieur / Top tube | mm | 550 | 575 | 600 |
| RC - Bases / Rear center | mm | 470 | 470 | 470 |
| HT - Douille de direction / Headtube | mm | 140 | 150 | 160 |
| WB - Empattement / Wheelbase | mm | 1092 | 1110 | 1128 |
| FL - Longueur de fourche / Fork length | mm | 477 | 477 | 477 |
| BB - Hauteur de boîtier / BB height | mm | 300 | 300 | 300 |
| SA - Angle de selle / Seat angle | ° | 71,4 | 71,4 | 71,4 |
| HA - Angle de direction / Head angle | ° | 67,7 | 68,1 | 68,7 |
| Reach | mm | 348 | 366 | 387 |
| Stack | mm | 614 | 625 | 637 |
| SO - Enjambement / Standover | mm | 688 | 683 | 681 |



Scan to find this bike online

TOUSTACHE