

SAMEDI 27 XROAD 1 OPEN



FRAME

Xroad Open, 6061 T4-T6 alloy, variable thickness hydroformed tubes, Bosch PowerTube battery integration (vertical), integrated cable routing

SEATCLAMP

Moustache, alloy, 34.9mm

HEADSET

FSA, No 57B-1

FORK

SR Suntour, XCM ATB, preload adjustment, 80mm travel

MOTOR

Bosch, Active Line Plus, 250W, 35/50Nm

BATTERY

Bosch, PowerTube 400Wh, vertical

DISPLAY

Bosch, Purion - « Walk assist »

CHARGER

Bosch, 2Ah

RIMS

Moustache, asymmetric, alloy 6061E, welded, 32 holes, 27.5", internal width 23mm

FRONT HUB

Shimano, 32H, 9x100mm, QR (Quick Release)

TYRES

Hutchinson, Python 2, 27.5x2.10

REAR HUB

Shimano, 32H, 9x135mm, QR (Quick Release)

STEM

Moustache, alloy, adjustable, 90mm

HANDLEBAR

Moustache, ergonomic, alloy, 680mm, 25° backsweep

GRIPS

Ergonomic, dual-density

SADDLE

Selle Royal, Wave

SEATPOST

Moustache, alloy, 31.6mm, 350mm

CASSETTE

Shimano, CS-HG201, 9-speed, 11-36T

CHAIN

KMC, X9, 9-speed, 120 links

REAR DERAILLEUR

Shimano, Altus, RD-R2000-SGS, 9-speed

SHIFTER

Shimano, Altus, SL-M2010-R, 9-speed

CRANKS

Moustache, aluminium, 170mm

CHAINRING

Narrow-Wide, 40 teeth

PEDALS

Resin platform with reflectors

FRONT BRAKE

Shimano, MT200 or Alhonga HJ-472, hydraulic disc brake

FRONT ROTOR

Shimano, 180mm or Alhonga, 180mm

REAR BRAKE

Shimano, MT200 or Alhonga HJ-472, hydraulic disc brake

REAR ROTOR

Shimano, 160mm or Alhonga, 160mm

FRONT LIGHT

AXA, Blueline, 30 lux, powered by main battery

REAR LIGHT

Spanninga, Presto2Guard, powered by main battery

MUDGUARD

Moustache, alloy, double wall design, w/alloy stays

CARRIER

Moustache, alloy, removable QL3 lateral fixation, MIK HD platform

KICKSTAND

Moustache, adjustable

AUTONOMY

99km

GVWR

135kg

WEIGHT

24.7kg

SIZES

S (1,49 - 1,61m) M (1,59 - 1,76m) L (1,74 - 1,90m)

COLORS

Pastel Green glossy

CONDITIONS

Maximum distance, calculated for a 70kg rider in ideal conditions. Estimate your battery range .

WARRANTY

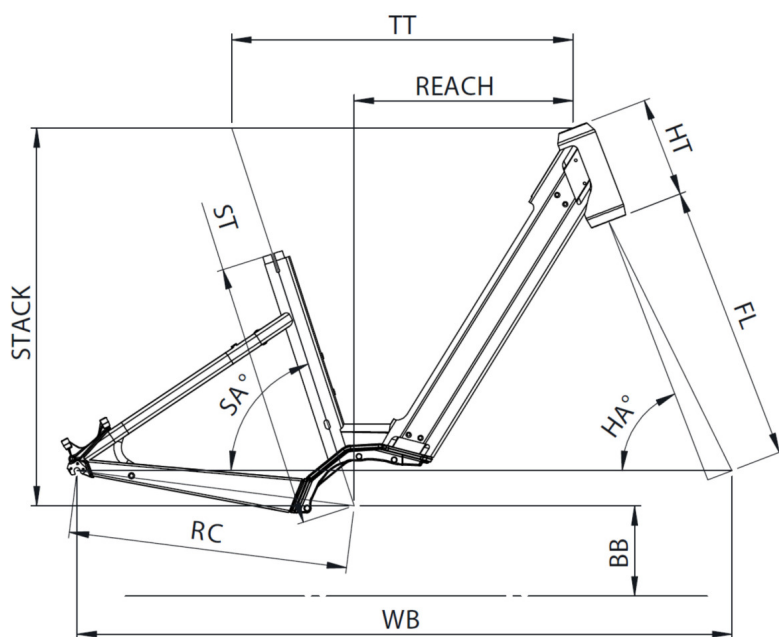
5 years frame and fork Moustache Bikes - 2 years motor, battery



Scan to find this bike online

{MOUSTACHE

SAMEDI 27 XROAD 1 OPEN



| TAILLE - ST | mm | 390 (S) | 450 (M) | 510 (L) |
|--|----|-------------|-------------|-------------|
| Taille utilisateur (à titre indicatif) | m | 1,49 - 1,61 | 1,59 - 1,76 | 1,74 - 1,90 |
| Tube supérieur (mesure horizontale) - TT | mm | 555 | 580 | 605 |
| Bases - RC | mm | 475 | 475 | 475 |
| Douille de direction - HT | mm | 170 | 170 | 170 |
| Empattement - WB | mm | 1109 | 1118 | 1143 |
| Longueur de fourche - FL | mm | 487 | 487 | 487 |
| Hauteur boîtier - BB | mm | 298 | 298 | 298 |
| Angle de selle - SA | ° | 71 | 71 | 71 |
| Angle de direction - HA | ° | 67,2 | 68 | 68 |
| Reach | mm | 336 | 360 | 385 |
| Stack | mm | 643 | 648 | 648 |



Scan to find this bike online

{TMOUSTACHE