

SAMEDI 28.5 OPEN



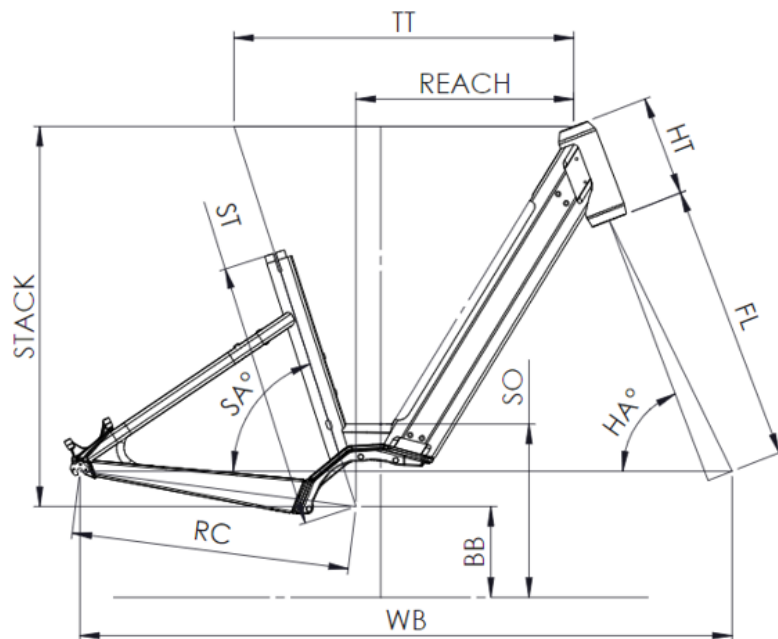
| | | |
|--|---|---|
| FRAME Samedi 28 Open, 6061 T4-T6 alloy, variable thickness hydroformed tubes, Bosch PowerTube battery integration (Vertical), integrated cable routing | SEATPOST Suspension, alloy, 31.6mm, 350mm, 40mm travel | KICKSTAND Moustache, adjustable |
| SEATCLAMP Moustache, alloy, 34.9mm | CASSETTE Sunrace, CSMS2, 10-speed, 11-42T | AUTONOMY 127km |
| HEADSET FSA, No 57B-1 | CHAIN KMC, X10, 10-speed, 120 links | GVWR 135kg |
| FORK SR Suntour, NEX-E25, HLO, preload adjustment & lockout function, 63mm travel | REAR DERAILLEUR Shimano, Deore, RD-M4120-SGS, 10-11-speed | WEIGHT 26.2kg |
| MOTOR Bosch, Performance Line, 250W, Smart System, 75Nm | SHIFTER Shimano, Deore, SL-M4100-R, 10-speed | SIZES S (1,49 - 1,61m) M (1,59 - 1,76m) L (1,74 - 1,90m) |
| BATTERY Bosch, PowerTube 500Wh, vertical, Smart System | CRANKS Moustache, aluminium, 170mm | COLORS Metalic red glossy |
| DISPLAY Bosch, Kiox 300, Smart System, compact, color screen, customizable screens, Lock function (optional), « Walk assist » | CHAINRING Narrow-Wide, 40 teeth | CONDITIONS Maximum distance, calculated for a 70kg rider in ideal conditions. Estimate your battery range . |
| CHARGER Bosch, 4Ah | PEDALS alloy platform with reflectors | WARRANTY 5 years frame and fork Moustache Bikes - 2 years motor, battery |
| RIMS Moustache, asymmetric, alloy 6061E, welded, 32 holes, 28", internal width 23mm | FRONT BRAKE Shimano, MT200 or Alhonga HJ-472, hydraulic disc brake | LOCK AXA, Block XXL, same key for framelock & battery lock |
| FRONT HUB Shimano, 32H, 9x100mm, QR (Quick Release) | FRONT ROTOR Shimano, 180mm or Alhonga, 180mm | REMOTE Bosch, LED remote Bluetooth |
| TYRES Schwalbe, Big Apple, 700x50C | REAR BRAKE Shimano, MT200 or Alhonga HJ-472, hydraulic disc brake | BOSCH CONNECT MODULE (BCM) Bosch Connect Module (BCM) compatible, with eBike Alarm function |
| REAR HUB Shimano, 32H, 9x135mm, QR (Quick Release) | REAR ROTOR Shimano, 160mm or Alhonga, 160mm | |
| HANDLEBAR Moustache, ergonomic, alloy, 80mm rise | FRONT LIGHT Spanninga, Axendo, 80 lux, powered by main battery | |
| GRIPS Ergonomic, dual-density | REAR LIGHT Spanninga, Presto2Guard, powered by main battery | |
| SADDLE Selle Royal, Shadow+ | MUDGUARD Moustache, alloy, double wall design, w/alloy stays | |
| | CARRIER Moustache, alloy, removable QL3 lateral fixation, MIK HD platform | |



Scan to find this bike online

MOUSTACHE

SAMEDI 28.5 OPEN



| ST - TAILLE / SIZE | mm | 390 (S) | 450 (M) | 510 (L) |
|--|----|-------------|-------------|-------------|
| Taille utilisateur / User size | m | 1,49 - 1,61 | 1,59 - 1,76 | 1,74 - 1,90 |
| TT - Tube supérieur / Top tube | mm | 555 | 580 | 605 |
| RC - Bases / Rear center | mm | 475 | 475 | 475 |
| HT - Douille de direction / Headtube | mm | 170 | 170 | 170 |
| WB - Empattement / Wheelbase | mm | 1101 | 1115 | 1124 |
| FL - Longueur de fourche / Fork length | mm | 477 | 477 | 477 |
| BB - Hauteur de boîtier / BB height | mm | 305 | 305 | 305 |
| SA - Angle de selle / Seat angle | ° | 71,5 | 71,5 | 71,5 |
| HA - Angle de direction / Head angle | ° | 67,7 | 68,5 | 68,5 |
| Reach | mm | 342 | 366 | 390 |
| Stack | mm | 644 | 644 | 644 |
| SO - Enjambement / Standover | mm | 443 | 443 | 443 |



Scan to find this bike online

TOUSTACHE