

# SAMEDI 26 OFF



## FRAME

26 OFF, 6061 T4-T6 alloy, variable thickness hydroformed tubes, tapered headtube 1"1/8-1"1/2, reversed Hidden Power technology

## FORK

SR Suntour, XCM, preload adjustment, 80mm travel

## MOTOR

Bosch, Active Line Plus, 250W, 35/50Nm

## BATTERY

Bosch, PowerPack 300Wh

## AUTONOMY

97 km

## CONDITIONS

Maximum, calculated for a 40kg rider in ideal conditions

## CHARGER

Bosch, 2Ah

## DISPLAY

Bosch, Purion - « Walk assist » Modes: Eco, Tour, Sport, Turbo

## REAR DERAILLEUR

Shimano, Altus, RD-R2000-SGS, 9-speed ; WI-BO014

## CHAINRING

Narrow-Wide, 32 teeth, chainguard

## CASSETTE

Shimano, CS-HG201, 9-speed, 11-36T

## CHAIN

KMC, X9, 9-speed, 108 links

## SHIFTER

Shimano, Altus, SL-M2010-R, 9-speed

## CRANKS

Moustache, aluminium, 170mm

## FRONT BRAKE

Shimano, MT200, hydraulic disc

## REAR BRAKE

Shimano, MT200, hydraulic disc

## FRONT ROTOR

Shimano, 160mm

## REAR ROTOR

Shimano, 160mm

## HUBS

Front: Shimano, 32H, 9x100mm, QR (Quick Release) // Rear: Shimano, 32H, 9x135mm, QR (Quick Release)

## RIMS

Moustache, alloy, double wall, 32 holes, 26"

## TYRES

Maxxis, Ardent, 26x2.25

## SADDLE

Moustache, Sport

## SEATPOST

Moustache, alloy, 31.6mm, 300mm

## SEATCLAMP

Moustache, alloy, 34.9mm

## HANDLEBAR

Moustache, alloy, 680mm, 15mm rise, 9° backsweep, 5° upsweep

## STEM

Moustache, alloy, 50mm

## HEADSET

FSA, No 57B-1

## GRIPS

Ergonomic, dual-density

## PEDALS

Resin platform with reflectors

## WARRANTY

5 years frame and fork Moustache Bikes - 2 years motor, battery

## SIZES

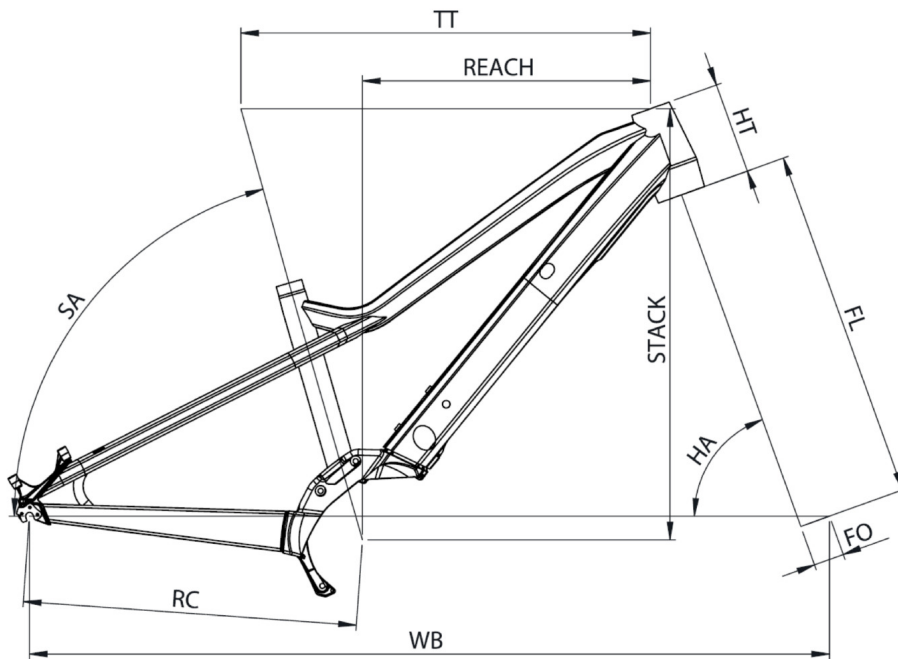
XS (1,33 - 1,50m)



Scan to find this bike online

**MOUSTACHE**  
BIKES

# SAMEDI 26 OFF



TAILLE - ST	mm	350
Taille utilisateur (à titre indicatif)	m	1,33 - 1,50
Tube supérieur (mesure horizontale) - TT	mm	540
Bases - RC	mm	438
Douille de direction - HT	mm	120
Empattement - WB	mm	1150
Longueur de fourche - FL	mm	462
Hauteur boîtier - BB	mm	299
Angle de selle - SA	°	74
Angle de direction - HA	°	70,2
Reach	mm	378
Stack	mm	565



Scan to find this bike online

**TOUSTACHE**  
BIKES