

SAMEDI 29 TRAIL 5 - SMART SYSTEM



FRAME

Trail, 6061 T4-T6 alloy, w/150mm travel, Bosch PowerTube battery custom integration (horizontal), 12x148mm, Boost, motor cover w/cooling fins & chainguide

FORK

Marzocchi, Bomber Z1, E-tuned, GRIP, compression sweep adjust, 150mm travel, 15x110mm, Boost, 44mm offset, mini-fender compatible

SHOCK

Moustache, Magic Grip Control 150, specific Air Shock w/ 2-position platform and dynamic control of rebound, Trunion mount, build-in 205x60mm, 150mm travel

MOTOR

Bosch, Performance Line CX, 250W, Smart System, 85Nm

BATTERY

Bosch, PowerTube 750Wh, horizontal, Smart System

AUTONOMY

129 km

CONDITIONS

Maximum, calculated for a 70kg rider in ideal conditions

CHARGER

Bosch, 4Ah

DISPLAY

Bosch, Kiox 300, Smart System, compact, color screen, customizable screens, Lock function (optional), « Walk assist », LED Remote bluetooth Modes: Eco, Tour+, eMTB, Turbo

REAR DERAILLEUR

Shimano, XT, RD-M8100-SGS, 12-speed ; WI-BO035

CHAINRING

FSA, Narrow Wide, 34 teeth

CASSETTE

Sunrace, CSMZ8, 12-speed, 11-51T

CHAIN

Shimano, CN-M6100, 12-speed, 120 links

SHIFTER

Shimano, Deore, SL-M6100, 12-speed

CRANKS

Moustache, forged aluminium, 165mm

FRONT BRAKE

Magura, MT5, hydraulic disc, 4 pistons

REAR BRAKE

Magura, MT5, hydraulic disc, 4 pistons

FRONT ROTOR

Magura, MDR-C, 203mm

REAR ROTOR

Magura, MDR-C, 203mm

HUBS

Front: Shimano, 28H, 15x110mm, thru axle // Rear: Shimano, 28H, 12x148mm, thru axle

RIMS

Moustache, asymmetric, alloy 6061E, welded, double wall, 28 holes, 29", internal width 30mm, mounted with Tubeless valves & flap, brass nuts with locking "Blue Nylon" insert

TYRES

Maxxis, Assegai, 29x2.50, foldable, EXO/TR (Tubeless Ready)

SADDLE

Moustache, Sport, steel rails

SEATPOST

EXA, 900i, dropper-post w/remote lever, 31.6mm

SEATPOST TRAVEL

S : 125mm M : 150mm L/XL : 170mm

SEATCLAMP

Moustache, alloy, 36.8mm

HANDLEBAR

Moustache, alloy, 760mm, 12mm rise, 9° backsweep, 5° upsweep

STEM

Moustache, alloy 3D forged, 50mm

HEADSET

Acros, AZX-579, sealed bearings

GRIPS

SB3, Race

LOCK

- / Bosch Connect Module (BCM) compatible, with eBike Alarm function

PEDALS

alloy platform with reflectors

WARRANTY

5 years frame and fork Moustache Bikes - 2 years motor, battery

SIZES

S, M, L, XL

COLORS

Black / Metallic Sliver Mat

WEIGHT

25 kg

PTAC

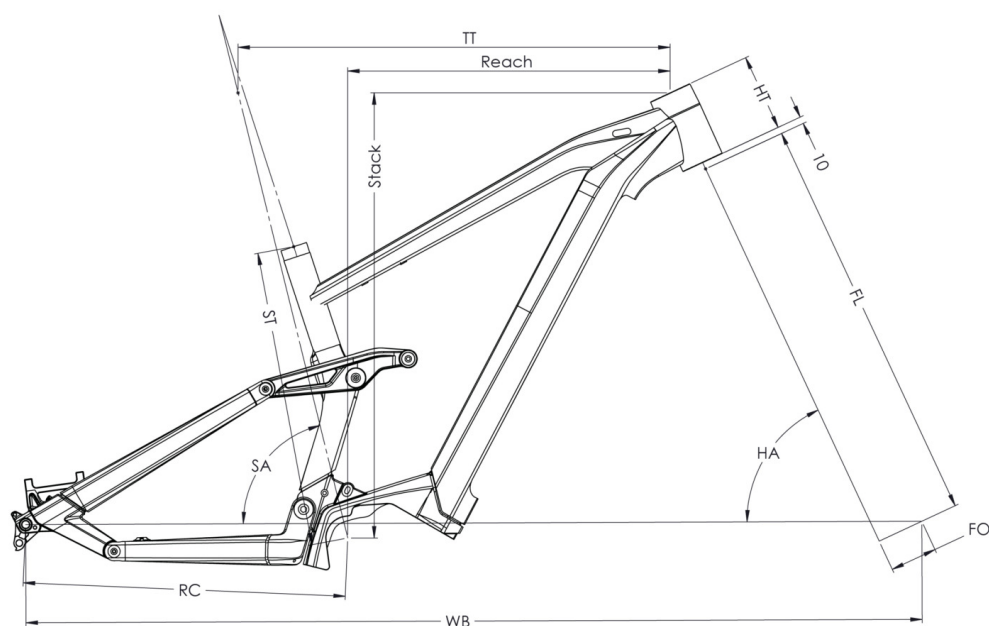
140 kg



Scan to find this bike online

MOUSTACHE
BIKES

SAMEDI 29 TRAIL 5 - SMART SYSTEM



TAILLE - ST	Unités	390 (S)	420 (M)	450 (L)	480 (XL)
Taille utilisateur (à titre indicatif)	m	1,56 - 1,72	1,69 - 1,85	1,82 - 1,98	1,95 - 2,11
Tube supérieur (mesure horizontale) - TT	mm	588	618	643	668
Bases - RC	mm	462	462	462	462
Douille de direction - HT	mm	100	110	130	140
Empattement - WB	mm	1218	1250	1279	1306
Hauteur boîtier - BB	mm	345	345	345	345
Longueur de fourche - FL	mm	560	560	560	560
Offset de fourche - FO	mm	44	44	44	44
Angle de tube de selle - STa	°	76,6	76,6	76,6	76,6
Angle de douille de direction - HTa	°	65,6	65,6	65,6	65,6
Reach	mm	441	468	489	512
Stack	mm	623	632	650	659
Enjambement - SO	mm	858	866	868	876
Hauteur de roue - WH	mm	750	750	750	750



Scan to find this bike online

MOUSTACHE
BIKES