

SAMEDI 27 XROAD 2 OPEN NEXUS



FRAME

Xroad, 6061 T4-T6 alloy, variable thickness hydroformed tubes, Bosch PowerTube battery integration (vertical), integrated cable routing

FORK

Suntour, XCM ATB, w/preload adjustment, 80mm travel

MOTOR

Bosch, Performance Line 250W - 35/65 Nm - Assistance from 55 to 300 % - 25 km/h - Natural - Noise free - Frictionless - Compact - Lightweight

BATTERY

Bosch, PowerTube 500Wh

BATTERY RANGE

Up to 141km. Estimate your ebike battery range

CHARGER

Bosch, 4Ah

DISPLAY

Bosch, Purion - 5 modes (Eco, Tour, Sport, Turbo, Off) - « Walk assist »

FRONT COG / CHAINRING

Samox, alloy, 40T w/chainguard

CASSETTE

Shimano, Nexus, single-sprocket 30T w/Shimano Alfine chain tensioner

CHAIN

Moustache, alloy, 170mm

SHIFTERS

Shimano, Nexus, SL-C7000 5-speed Revo

BRAKES

Shimano, MT200 hydraulic disc brakes

ROTORS FRONT/REAR (IN MM)

Shimano, 180mm front & 160mm rear

HUBS

Front: Shimano, 32H, 9x100mm, w/QR // Rear: Shimano, 32H, 9x135mm, w/Nut

RIMS

Moustache, alloy, double wall, 32H

TIRES

Hutchinson, Python, 27.5x2.10

SADDLE

Selle Royal, Wave Ergonomic

SEATPOST

Moustache, alloy, 31.6mm, 350mm

SEAT CLAMP

Moustache, alloy, 34.9mm

HANDLEBAR

Moustache, ergonomic, alloy, 680mm, 25° backsweep

STEM

Moustache, alloy, 90mm adjustable

HEADSET

FSA, No 57-B

GRIPS

Ergonomic, dual-density

HEADLIGHT

AXA Blueline, 30 lux, powered by main battery

TAILLIGHT

Spanninga, Presto2Guard, powered by main battery

KICKSTAND

Moustache, adjustable

MUDGUARDS

Moustache, alloy, double wall design, w/alloy stays

REAR CARRIER

Moustache, alloy, QL3 low-rider carrier, MIK Bag/Accessories compatible

PEDALS

Resin with platform and reflectors

WARRANTY

5 years frame and Moustache Bikes fork - 2 years motor, battery (or 500 cycles) and accessories

SIZES

S, M, L

COLOR

Burgundy, glossy

TOTAL WEIGHT AUTHORIZED

135 kg

WEIGHT

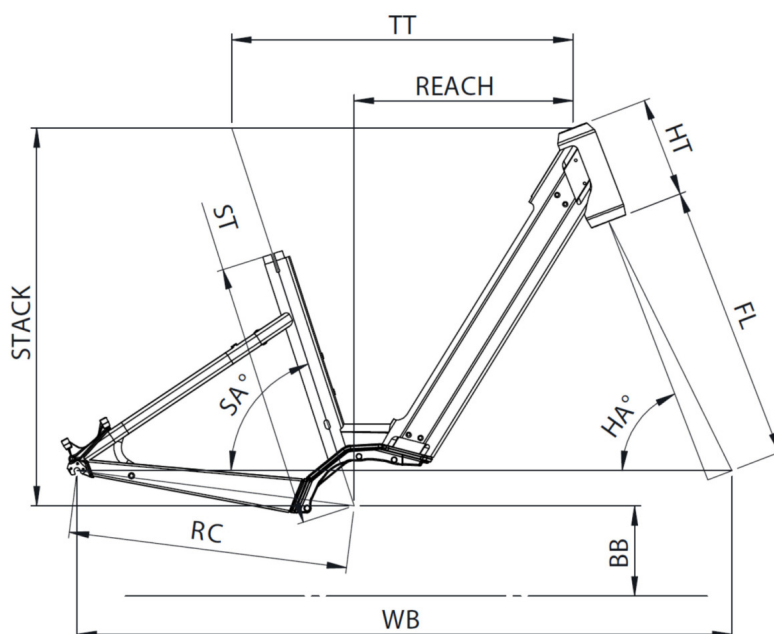
24.7 kg



Scan to find this bike online

MOUSTACHE
BIKES

SAMEDI 27 XROAD 2 OPEN NEXUS



TAILLE - ST	mm	390 (S)	450 (M)	510 (L)
Taille utilisateur (à titre indicatif)	m	1,49 - 1,61	1,59 - 1,76	1,74 - 1,90
Tube supérieur (mesure horizontale) - TT	mm	555	580	605
Bases - RC	mm	475	475	475
Douille de direction - HT	mm	170	170	170
Empattement - WB	mm	1109	1118	1143
Longueur de fourche - FL	mm	487	487	487
Hauteur boîtier - BB	mm	298	298	298
Angle de selle - SA	°	71	71	71
Angle de direction - HA	°	67,2	68	68
Reach	mm	336	360	385
Stack	mm	643	648	648



Scan to find this bike online