

PETIT WEEKEND FS EQ



FRAME

Weekend, 6061 T4-T6 alloy, 120mm travel, exclusive integration of the Bosch PowerTube battery (horizontal) and external fixations for the PowerPack battery, 12x148mm, Boost, motor protection with air vents.

FORK

RockShox, 35 Gold RL, DebonAir spring w/external rebound, Motion-Control damping featuring low speed compression adjustment to lockout 130mm travel, 15x110mm, Boost, 42mm Offset, mini-fender compatible

SHOCK

Moustache, Magic Grip Control 120, specific Air Shock with 2-position platform and dynamic control of rebound, Trunion mount, build-in 165x45mm, 120mm travel

MOTOR

Bosch, Performance Line CX, 250W, 85Nm

BATTERY

Bosch, PowerTube 625Wh, horizontal

AUTONOMY

116 km

CONDITIONS

Maximum, calculated for a 70kg rider in ideal conditions

CHARGER

Bosch, 4Ah

DISPLAY

Bosch, Nyon, touchscreen, smart connectivity, bluetooth-compatible, navigation, Lock function, custom settings - « Walk assist » Modes: Eco, Tour+, eMTB, Turbo

REAR DERAILLEUR

Shimano, Deore, RD-M6100-SGS, 12-speed ; WI-BO013

CHAINRING

FSA, Narrow Wide, 34 teeth

CASSETTE

Sunrace, CSMZ8, 12-speed, 11-51T

CHAIN

Shimano, CN-M6100, 12-speed, 120 links

SHIFTER

Shimano, Deore, SL-M6100, 12-speed

CRANKS

Moustache, forged aluminium, 165mm

FRONT BRAKE

Shimano, BR-M6120, hydraulic disc, 4 pistons

REAR BRAKE

Shimano, BR-M6120, hydraulic disc, 4 pistons

FRONT ROTOR

Shimano, 203mm

REAR ROTOR

Shimano, 203mm

HUBS

Front: Shimano, 28H, 15x110mm, thru axle // Rear: Shimano, 28H, 12x148mm, thru axle

RIMS

Moustache, asymmetric, alloy 6061E, welded, double wall, 28 holes, 27.5", internal width 35mm, mounted with Tubeless valves & flap

TYRES

Maxxis, Rekon, 27.5x2.60, foldable, EXO/TR (Tubeless Ready)

SADDLE

Moustache, Sport, steel rails

SEATPOST

EXA, 900i, dropper-post w/remote lever, 31.6mm

SEATPOST TRAVEL

S: 100mm M: 125mm L/XL: 150mm

SEATCLAMP

Moustache, alloy, 34.9mm

HANDLEBAR

Moustache, alloy, 740mm, 15mm rise, 9° backsweep, 5° upsweep

STEM

Moustache, 3D forged Aluminum, 60mm

HEADSET

FSA, No 57B

GRIPS

SB3, Ergonomic

FRONT LIGHT

Supernova, E3 V521, 235 lumen, powered by main battery

REAR LIGHT

Spanninga, Presto2Guard, powered by main battery

KICKSTAND

Moustache, adjustable

MUDGUARD

Moustache, alloy, double wall design, w/alloy stays

CARRIER

Moustache, alloy, removable QL3 lateral fixation, MIK HD platform

PEDALS

alloy platform with reflectors

WARRANTY

5 years frame and fork Moustache Bikes - 2 years motor, battery

SIZES

S, M, L, XL

COLORS

Pastel Green Glossy

WEIGHT

26,5 kg

PTAC

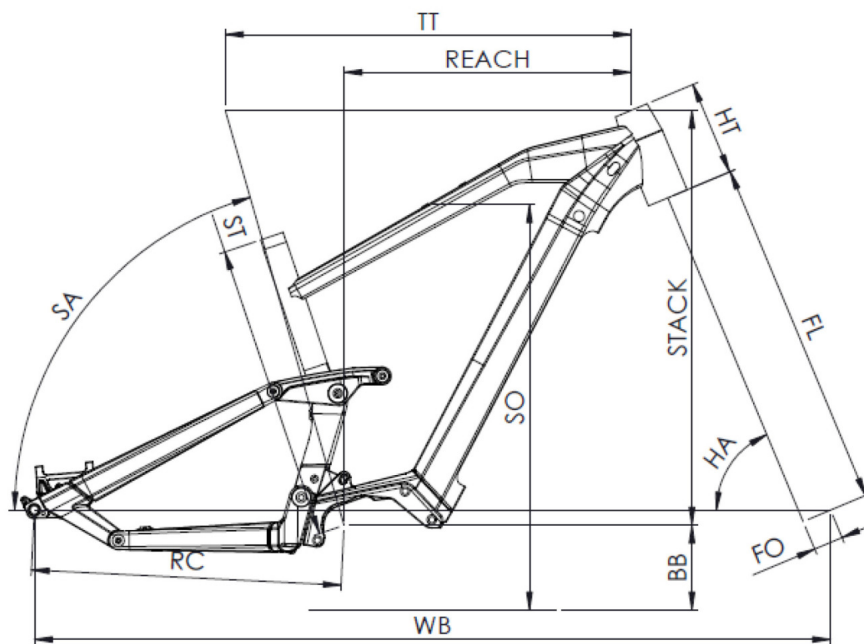
150 kg



Scan to find this bike online

MOUSTACHE
BIKES

PETIT WEEKEND FS EQ



TAILLE - ST	mm	390 (S)	440 (M)	490 (L)	540 (XL)
Taille utilisateur (à titre indicatif)	m	1,54 - 1,69	1,66 - 1,81	1,78 - 1,93	1,90 - 2,05
Tube supérieur (mesure horizontale) - TT	mm	570	600	625	650
Bases - RC	mm	458	458	458	458
Douille de direction - HT	mm	140	140	150	160
Empattement - WB	mm	1163	1190	1215	1242
Longueur de fourche - FL	mm	549	549	549	549
Hauteur boîtier - BB	mm	347	347	347	346
Angle de selle - SA	°	72,5	72,5	72,5	72,5
Angle de direction - HA	°	66	66	66	66
Reach	mm	380	410	431	455
Stack	mm	610	612	622	630
Hauteur enjambement (mm) - SO	mm	810	820	820	837



Scan to find this bike online