

SAMEDI 29 TRAIL 3



FRAME

Trail, 6061 T4-T6 alloy, w/150mm travel, Bosch PowerTube battery custom integration (horizontal), 12x148mm, Boost, motor cover w/cooling fins & chainguide

SEATCLAMP

Moustache, alloy, 38.6mm

HEADSET

Acros, AZX-579, sealed bearings

SHOCK

Moustache, Magic Grip Control 150, specific Air Shock w/ 2-position platform and dynamic control of rebound, Trunion mount, build-in 205x60mm, 150mm travel

FORK

Marzocchi, Bomber Z2, RAIL, compression sweep adjust, 150mm travel, 15x110mm, Boost, 44mm offset

MOTOR

Bosch, Performance Line CX, 250W, Smart System, 85Nm

BATTERY

Bosch, PowerTube 625Wh, horizontal, Smart System

DISPLAY

Bosch, Intuvia 100, Smart System, compact, "Walk Assist"

CHARGER

Bosch, 4Ah

RIMS

Moustache, asymmetric, alloy 6061E, welded, double wall, 28 holes, 29", internal width 30mm, mounted with Tubeless valves & flap, brass nuts with locking "Blue Nylon" insert

FRONT HUB

Moustache, 28H, 15x110mm, thru axle

TYRES

Maxxis, Assegai, 29x2.50, foldable, EXO/TR (Tubeless Ready)

REAR HUB

Moustache, 28H, 12x148mm, thru axle

STEM

Moustache, alloy 3D forged, 50mm

HANDLEBAR

Moustache, alloy, 760mm, 12mm rise, 9° backsweep, 5° upsweep

GRIPS

SB3, Race

SADDLE

Moustache, Sport, steel rails

SEATPOST

EXA, 900i, dropper-post w/remote lever, 31.6mm, 125mm

CASSETTE

Shimano, Deore, CS-M5100 11-speed, 11-51T

CHAIN

Sram, PC1110, 11-speed, 120 links

REAR DERAILLEUR

Shimano, Deore, RD-M5100-SGS, 11-speed

SHIFTER

Shimano, Deore, SL-M5100-R, 11-speed

CRANKS

Moustache, forged aluminium, 165mm

CHAINRING

FSA, Narrow Wide, 34 teeth

PEDALS

alloy platform with reflectors

FRONT BRAKE

Shimano, MT420, hydraulic disc, 4 pistons

FRONT ROTOR

Shimano, 203mm

REAR BRAKE

Shimano, MT420, hydraulic disc, 4 pistons

REAR ROTOR

Shimano, 203mm

AUTONOMY

97km

GVWR

140kg

WEIGHT

24.4kg

SIZES

S (1,56 - 1,72m) M (1,69 - 1,85m) L (1,82 - 1,98m) XL (1,95 - 2,11m)

COLORS

Black / Metallic blue glossy

CONDITIONS

Maximum distance, calculated for a 70kg rider in ideal conditions. Estimate your battery range .

WARRANTY

5 years frame and fork Moustache Bikes - 2 years motor, battery

REMOTE

Bosch, LED remote Bluetooth

BOSCH CONNECT MODULE (BCM)

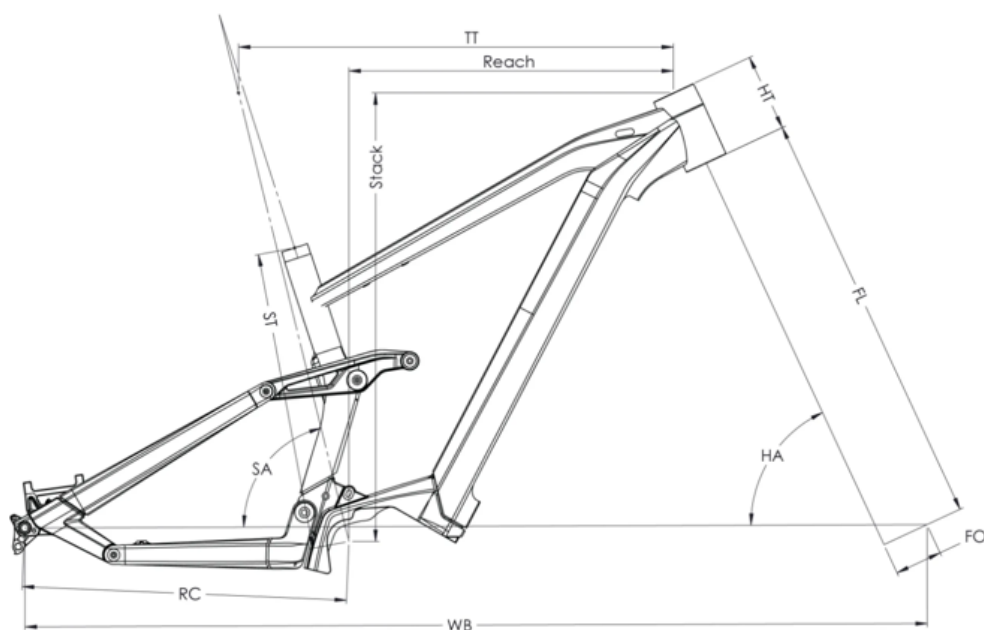
Bosch Connect Module (BCM) compatible, with eBike Alarm function



Scan to find this bike online

MOUSTACHE

SAMEDI 29 TRAIL 3



ST - TAILLE / SIZE	mm	390 (S)	420 (M)	450 (L)	480 (XL)
Taille utilisateur / User size	m	1,56 - 1,72	1,69 - 1,85	1,82 - 1,98	1,95 - 2,11
TT - Tube supérieur / Top tube	mm	588	618	643	668
RC - Bases / Rear center	mm	462	462	462	462
HT - Douille de direction / Headtube	mm	100	110	130	140
WB - Empattement / Wheelbase	mm	1218	1250	1279	1306
FL - Longueur de fourche / Fork length	mm	560	560	560	560
BB - Hauteur de boitier / BB height	mm	350	350	350	350
SA - Angle de selle / Seat angle	°	76,6	76,6	76,6	76,6
HA - Angle de direction / Head angle	°	65,6	65,6	65,6	65,6
Reach	mm	441	468	489	512
Stack	mm	623	632	650	659
SO - Enjambement / Standover	mm	836	845	863	873



Scan to find this bike online

TOUSTACHE