

LUNDI 27.5



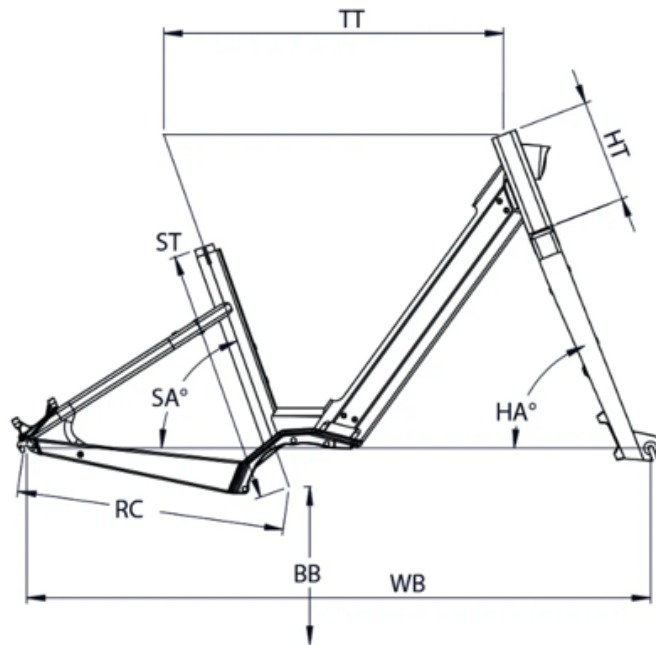
FRAME Lundi 27 low step-over, 6061 T4-T6 alloy, hydroformed and extruded triple cavity tubes for optimal stiffness. Exclusive integration of the Bosch PowerTube battery (Vertical), integrated cable routing	SEATPOST Suspension, alloy, 31.6mm, 350mm, 40mm travel	CARRIER Moustache, alloy, removable QL3 lateral fixation, MIK HD platform
SEATCLAMP Moustache, alloy, 34.9mm	CASSETTE Moustache, 17T	KICKSTAND Moustache, adjustable
HEADSET FSA, No 28/41 integrated	CHAIN Shimano, HG40, 114 links	AUTONOMY 115km
FORK Lundi, alloy w/integrated cable routing and custom front carrier attachments	REAR DERAILLEUR Shimano, Alfine, chain tensioner	GVWR 150kg
MOTOR Bosch, Performance Line, 250W, Smart System, 75Nm	SHIFTER Enviolo, PURE, rotating handle with visual indicator	WEIGHT 27.4kg
BATTERY Bosch, PowerTube 500Wh, vertical, Smart System	CRANKS Moustache, aluminium, 170mm	SIZES One size (1,57 - 1,90m)
DISPLAY Bosch, Kiox 300, Smart System, compact, color screen, customizable screens, Lock function (optional), « Walk assist »	CHAINRING Narrow-Wide, 40 teeth	COLORS Black glossy
CHARGER Bosch, 4Ah	PEDALS alloy platform with reflectors	CONDITIONS Maximum distance, calculated for a 70kg rider in ideal conditions. Estimate your battery range .
RIMS Moustache, asymmetric, alloy 6061E, welded, 32 holes, 27.5", internal width 23mm	FRONT BRAKE Shimano, MT200 or Alhonga HJ-472, hydraulic disc brake	WARRANTY 5 years frame and fork Moustache Bikes - 2 years motor, battery
FRONT HUB Shimano, 32H, 9x100mm, QR (Quick Release)	FRONT ROTOR Shimano, 180mm or Alhonga, 180mm	LOCK AXA, Block XXL, same key for framelock & battery lock
TYRES Schwalbe, Super Moto-X, 27.5x2.40	REAR BRAKE Shimano, MT200 or Alhonga HJ-472, hydraulic disc brake	REMOTE Bosch, LED remote Bluetooth
REAR HUB Enviolo, TR 380%, 32H, 10x135mm, nut	REAR ROTOR Shimano, 160mm or Alhonga, 160mm	BOSCH CONNECT MODULE (BCM) Bosch Connect Module (BCM) compatible, with eBike Alarm function
HANDLEBAR Moustache, Lundi custom ergonomic, alloy	FRONT LIGHT Spanninga, integrated, 30 lux, powered by main battery	
GRIPS Ergonomic, dual-density	REAR LIGHT Spanninga, Presto2Guard, powered by main battery	
SADDLE Selle Royal, Hertz, gel	MUDGUARD Moustache, alloy, double wall design, w/alloy stays	
	FRONT CARRIER Optional extra: Moustache, Alloy, compatible with MIK bags and accessories	



Scan to find this bike online

MOUSTACHE

LUNDI 27.5



ST - TAILLE / SIZE	mm	460
Taille utilisateur / User size	m	1,57 - 1,90
TT - Tube supérieur / Top tube	mm	615
RC - Bases / Rear center	mm	480
HT - Douille de direction / Headtube	mm	185
WB - Empattement / Wheelbase	mm	1129
BB - Hauteur de boîtier / BB height	mm	285
SA - Angle de selle / Seat angle	°	70,4
HA - Angle de direction / Head angle	°	69
SO - Enjambement / Standover	mm	427



Scan to find this bike online

{TFOUSTACHE