

WEEKEND FS



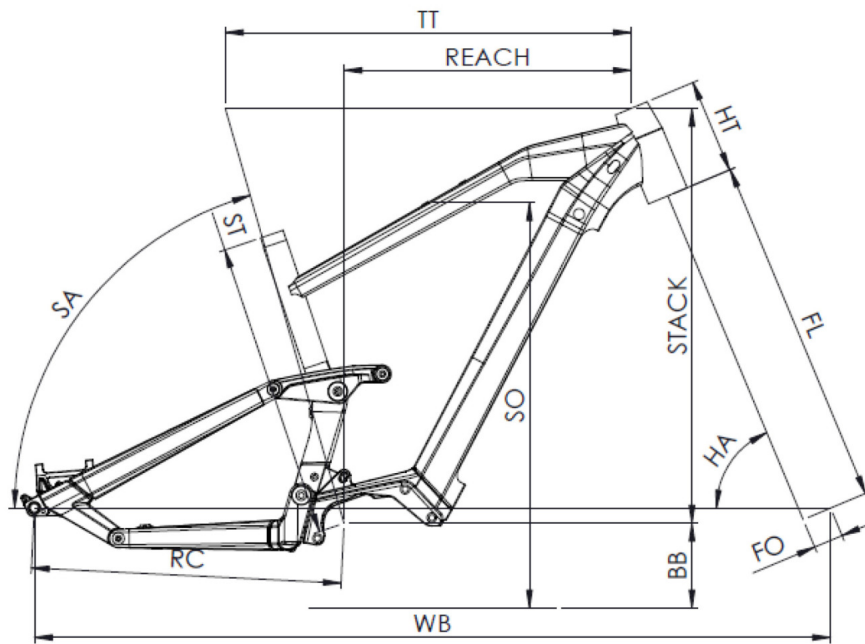
FRAME Weekend, 6061 T4-T6 alloy, 120mm travel, exclusive integration of the Bosch PowerTube battery (horizontal) and external fixations for the PowerPack battery, 12x148mm, Boost, motor protection with air vents.	STEM Moustache, 3D forged Aluminum, 60mm	GVWR 150kg
SEATCLAMP Moustache, alloy, 34.9mm	HANDLEBAR Moustache, alloy, 740mm, 15mm rise, 9° backsweep, 5° upsweep	SIZES S (1,54 - 1,69m) M (1,66 - 1,81m) L (1,78 - 1,93m) XL (1,90 - 2,05m)
HEADSET FSA, No 57B	GRIPS SB3, Ergonomic	COLORS Pastel Green glossy
SHOCK Moustache, Magic Grip Control 120, specific Air Shock with 2-position platform and dynamic control of rebound, Trunion mount, build-in 165x45mm, 120mm travel	SADDLE Moustache, Sport, steel rails	CONDITIONS Maximum distance, calculated for a 70kg rider in ideal conditions. Estimate your battery range .
FORK RockShox, 35 Gold RL, DebonAir spring w/external rebound, Motion-Control damping featuring low speed compression adjustment to lockout 130mm travel, 15x110mm, Boost, 42mm Offset, mini-fender compatible	SEATPOST EXA, 900i, dropper-post w/remote lever, 31.6mm, 100mm	WARRANTY 5 years frame and fork Moustache Bikes - 2 years motor, battery
MOTOR Bosch, Performance Line CX, 250W, 85Nm	CASSETTE Sunrace, CSMZ8, 12-speed, 11-51T	WEIGHT 25.2kg
BATTERY Bosch, PowerTube 625Wh, horizontal	CHAIN Shimano, CN-M6100, 12-speed, 120 links	
DISPLAY Bosch, Purion - « Walk assist »	REAR DERAILLEUR Shimano, Deore, RD-M6100-SGS, 12-speed	
CHARGER Bosch, 4Ah	SHIFTER Shimano, Deore, SL-M6100, 12-speed	
RIMS Moustache, asymmetric, alloy 6061E, welded, double wall, 28 holes, 27.5", internal width 35mm, mounted with Tubeless valves & flap	CRANKS Moustache, forged aluminium, 165mm	
FRONT HUB Shimano, 28H, 15x110mm, thru axle	CHAINRING FSA, Narrow Wide, 34 teeth	
TYRES Maxxis, Rekon, 27.5x2.60, foldable, EXO/TR (Tubeless Ready)	PEDALS alloy platform with reflectors	
REAR HUB Shimano, 28H, 12x148mm, thru axle	FRONT BRAKE Shimano, MT420, hydraulic disc, 4 pistons	
	FRONT ROTOR Shimano, 203mm	
	REAR BRAKE Shimano, MT420, hydraulic disc, 4 pistons	
	REAR ROTOR Shimano, 203mm	
	AUTONOMY 121km	



Scan to find this bike online

{MOUSTACHE

WEEKEND FS



TAILLE - ST	mm	390 (S)	440 (M)	490 (L)	540 (XL)
Taille utilisateur (à titre indicatif)	m	1,54 - 1,69	1,66 - 1,81	1,78 - 1,93	1,90 - 2,05
Tube supérieur (mesure horizontale) - TT	mm	570	600	625	650
Bases - RC	mm	458	458	458	458
Douille de direction - HT	mm	140	140	150	160
Empattement - WB	mm	1163	1190	1215	1242
Longueur de fourche - FL	mm	549	549	549	549
Hauteur boîtier - BB	mm	347	347	347	346
Angle de selle - SA	°	72,5	72,5	72,5	72,5
Angle de direction - HA	°	66	66	66	66
Reach	mm	380	410	431	455
Stack	mm	610	612	622	630
Hauteur enjambement (mm) - SO	mm	810	820	820	837



Scan to find this bike online

TOUSTACHE